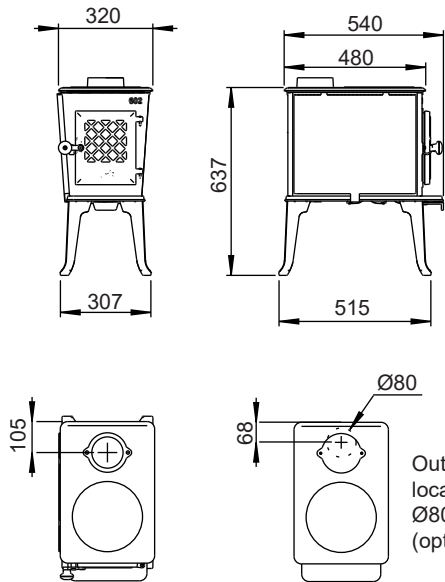
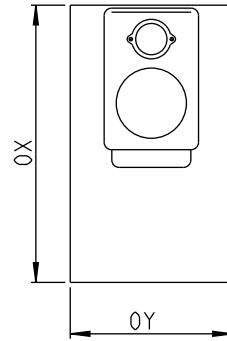


Jøtul F 602 ECO IT

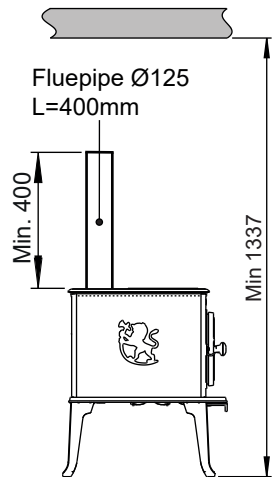


Min. measurement floorplate
X/Y Acc. to national standards

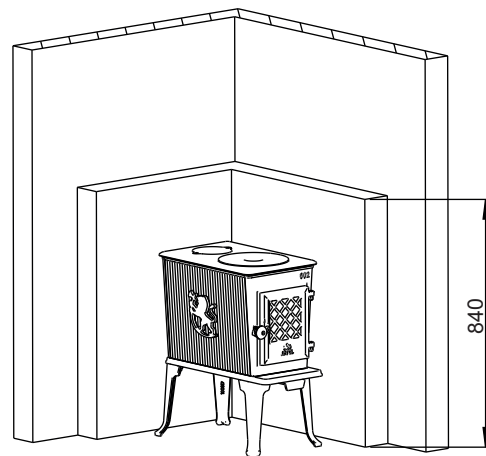


Outside air connection
location on the underside
Ø80mm
(optional extra)

Distance to combustible ceiling

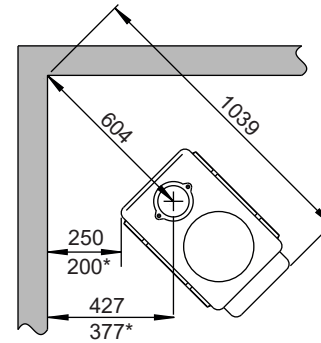


Min. height of firewall

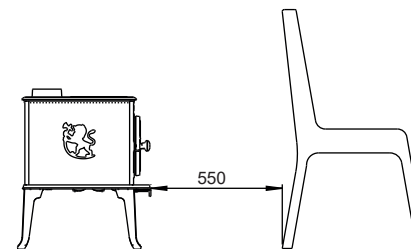
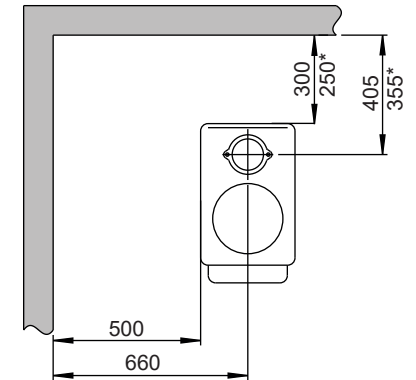
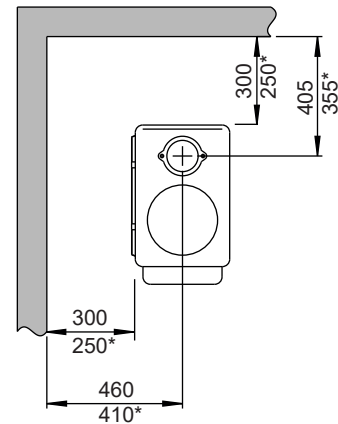
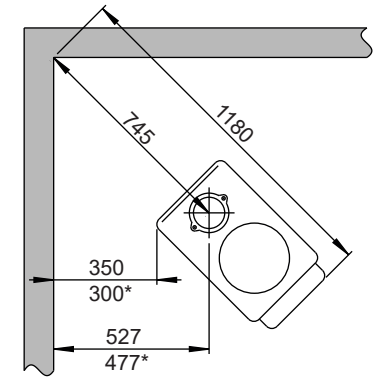


Min. distance to combustible wall

With heat shield



Without heat shield



Combustible wall
Firewall

* semi-insulated chimney / shielded flue pipe
right down to the stove

Min. distance to firewall

Without heat shield

With heat shield

Integrated firewall

External firewall

Integrated firewall

External firewall

