

Jøtul F 162 / Jøtul F 163

Jøtul F 162 / F 163
Manual Version P03

UK	- Installation and Operating Instructions	4
FR	- Manuel d'installation et d'utilisation	15
ES	- Instrucciones para instalación	26
NL	- Installatie- en montagehandleiding	37
PL	- Instrukcja montażu i obsługi z danymi technicznymi	49



Jøtul F 162



Jøtul F 163



Manualene må oppbevares under hele produktets levetid. The manuals which are enclosed with the product must be kept throughout the product's entire service life. Les manuels fournis avec le produit doivent être conservés pendant toute la durée de vie du produit. Los manuales suministrados con este producto deben guardarse durante todo el ciclo de vida del producto. I manuali inclusi con il prodotto vanno conservati per l'intera durata di vita del prodotto. Das im Lieferumfang des Produkts enthaltene Begleitmaterial ist über die gesamte Nutzungsdauer aufzubewahren. De bij de haard meegeleverde handleidingen moeten gedurende de volledige gebruiksduur van de haard bewaard blijven.



Requirements / Exigences / Requisitos / Requisiti / Vereisten / Forderungen	
Supplier / Fabricante / Fornitore / Vereisten / Lieferant / Producent	Jøtul AS
Product models Produits concernés Modelos Modelli Product modellen Varianten der Feuerstelle Modele produktu	Jøtul F 160 Series: Jøtul F 162 Jøtul F 164 Jøtul F 166
Energy efficiency class / Classe énergétique / Clase de eficiencia energética / Classe energetica / Energie efficiency klasse / Energieeffizienz-Klasse / Klasa efektywności energetycznej	A+
Direct heat output / Puissance réelle de sortie / Potencia calorífica emitida / Emissione di calore diretta / Directe warmte afgifte / Nennwärmeleistung / Bezpośrednia moc grzewcza	5,9 kW
Energy efficiency index / Index de rendement énergétique / Índice de eficiencia energética / Indice di efficienza energetica / Energie efficiency index / Energieeffizienz-Index / Indeks efektywności energetycznej	111,4
Efficiency at nominal heat output / Rendement à puissance nominale / Eficiencia al rendimiento nominal / Efficienza alla potenza nominale / Efficiency bij nominale warmte afgifte / Wirkungsgrad bei Nennheizleistung / Sprawność dla mocy znamionowej	83 %
<ul style="list-style-type: none"> Any specific precautions that shall be taken when the local space heater is assembled installed or maintained. Toutes les précautions spécifiques doivent être prises lors de l'assemblage, l'installation ou l'entretien de l'appareil. Cualquier precaución específica que deba tenerse en cuenta durante el montaje, instalación o mantenimiento del equipo de calefacción Precauzioni specifiche da prendere quando il riscaldatore viene assemblato, installato o mantenuto in uno spazio. Eventuele specifieke voorzorgsmaatregelen die worden genomen wanneer de plaatselijke ruimteverwarming wordt gemonteerd, geïnstalleerd of onderhouden. Besondere Maßnahmen bei Montierung, Installation und Wartung. Wszelkie szczególne środki ostrożności, które należy podjąć, gdy lokalny ogrzewacz pomieszczeń jest zamontowany lub konserwowany. 	<ul style="list-style-type: none"> Fire safety precautions such as safety distances when installing, national standards, local codes and regulations. See the Instructions manual. Les précautions d'incendie telles que les distances de sécurité lors de l'installation, le suivi des normes, les codes locaux et les réglementations nationales. Veuillez lire le manuel d'installation. Precauciones frente a incendios como distancia de seguridad en la instalación, estándares nacionales, códigos locales y reglamentos. Lea el manual de instalación. Precauzioni per la sicurezza antincendio come le distanze di sicurezza durante l'installazione, le normative nazionali e locali. Leggere il manual. Brandveiligheidsmaatregelen, zoals veiligheids-afstanden bij installatie, nationale normen, lokale codes en voorschriften. Lees de installatiehandleiding. Für brenntechnische Verhältnisse, wie z.B. Aufstellbedingungen und nationale Forderungen. Siehe die Montage- und Bedienungsanleitung. Środki bezpieczeństwa przeciwpożarowego, takie jak odległości od materiałów palnych jakie należy zachować podczas instalacji, normy krajowe, lokalne przepisy i regulacje. Patrz instrukcja obsługi.



Requirements / Exigences / Requisitos / Requisiti / Vereisten / Forderungen / Wymagania	
Supplier / Fabricante / Fornitore / Vereisten / Lieferant / Producent	Jøtul AS
Product models Produits concernés Modelos Modelli Product modellen Varianten der Feuerstelle Modele produktu	Jøtul F 160 Series: Jøtul F 163 Jøtul F 165 Jøtul F 167
Energy efficiency class / Classe énergétique / Clase de eficiencia energética / Classe energetica / Energie efficiëncy klasse / Energieeffizienz-Klasse / Klasa efektywności energetycznej	A+
Direct heat output / Puissance réelle de sortie / Potencia calorífica emitida / Emissione di calore diretta / Directe warmte afgifte / Nennwärmeleistung / Bezpośrednia moc grzewcza	5,9 kW
Energy efficiency index / Index de rendement énergétique / Índice de eficiencia energética / Indice di efficienza energetica / Energie efficiëncy index / Energieeffizienz-Index / Indeks efektywności energetycznej	109,9
Efficiency at nominal heat output / Rendement à puissance nominale / Eficiencia al rendimiento nominal / Efficienza alla potenza nominale / Efficiency bij nominale warmte afgifte / Wirkungsgrad bei Nennheizleistung / Sprawność dla mocy znamionowej	82 %
<ul style="list-style-type: none"> Any specific precautions that shall be taken when the local space heater is assembled installed or maintained. Toutes les précautions spécifiques doivent être prises lors de l'assemblage, l'installation ou l'entretien de l'appareil. Cualquier precaución específica que deba tenerse en cuenta durante el montaje, instalación o mantenimiento del equipo de calefacción Precauzioni specifiche da prendere quando il riscaldatore viene assemblato, installato o mantenuto in uno spazio. Eventuele specifieke voorzorgsmaatregelen die worden genomen wanneer de plaatselijke ruimteverwarming wordt gemonteerd, geïnstalleerd of onderhouden. Besondere Maßnahmen bei Montierung, Installation und Wartung. Wszelkie szczególne środki ostrożności, które należy podjąć, gdy lokalny ogrzewacz pomieszczeń jest zamontowany lub konserwowany. 	<ul style="list-style-type: none"> Fire safety precautions such as safety distances when installing, national standards, local codes and regulations. See the Instructions manual. Les précautions d'incendie telles que les distances de sécurité lors de l'installation, le suivi des normes, les codes locaux et les réglementations nationales. Veuillez lire le manuel d'installation. Precauciones frente a incendios como distancia de seguridad en la instalación, estándares nacionales, códigos locales y reglamentos. Lea el manual de instalación. Precauzioni per la sicurezza antincendio come le distanze di sicurezza durante l'installazione, le normative nazionali e locali. Leggere il manual. Brandveiligheidsmaatregelen, zoals veiligheids-afstanden bij installatie, nationale normen, lokale codes en voorschriften. Lees de installatiehandleiding. Für brenntechnische Verhältnisse, wie z.B. Aufstellbedingungen und nationale Forderungen. Siehe die Montage- und Bedienungsanleitung. Środki bezpieczeństwa przeciwpożarowego, takie jak odległości od materiałów palnych jakie należy zachować podczas instalacji, normy krajowe, lokalne przepisy i regulacje. Patrz instrukcja obsługi.

ENGLISH

Table of contents

Installation manual with technical data

1.0	Relationship to the authorities	4
2.0	Technical data	4
3.0	Safety	7
4.0	Installation	8
5.0	Daily use	11
6.0	Service	12
7.0	Maintenance	13
8.0	Operational problems - troubleshooting.....	13
9.0	Optional Equipment	14
10.0	Recycling	14
11.0	Guarantee terms.....	14

Register your fireplace at jotul.com for a 25-year warranty.

Product: Jøtul Room heater fired by solid fuel				
Standard				
Minimum distance to adjacent combustible materials:				
Emission of CO in combustion products:				
Flue gas temperature:				
Nominal heat output:				
Efficiency:				
Operation range:				
Fuel type:				
Operational type:				
The appliance can be used in a shared flue.				
Country	Classification	Certification standard	Approved by	
Norway	Klasse II			
Sweden	etc.	SP	SP Sveriges Provnings- och Forskningsinstitut AB	
EUR	Intermittent	EN	SP-Swedish National Testing and Research Institute	
Follow user's instructions. Use only recommended fuels. Montage- und Bedienungsanleitung beachten. Verwenden Sie nur empfohlenen Brennstoffen. Respectez les consignes d'utilisation. Utilisez uniquement les combustibles recommandés.				
Serial no: Y-xxxx, Year: 200x				
Manufacturer: Jøtul AS POB 1441 N-1602 Fredrikstad Norway				221546

On all our products there is a label indicating the serial number and year. Write this number in the place indicated in the installation instructions.

Always quote this serial number when contacting your retailer or Jøtul.

Serial no.

1.0 Relationship to the authorities

Installation of a fireplace must be according to local codes and regulations in each country.

All local regulations, including those that refer to national and European standards, shall be complied with when installing the product.

Before use read the Installation and Operating Instructions carefully. Prior to using the product the installation must be inspected by a qualified person.

A name plate of heat-resistant material is affixed to the product on the underside of the burnchamber (Fig. 3 B). This contains information about identification and documentation for the product.

2.0 Technical data

	Jøtul F 162	Jøtul F 163
Material:	Cast iron	Cast iron
Finish:	Paint	Paint/enamel
Fuel:	Wood	Wood
Log length, max:	33 cm	33 cm
Flue outlet:	Top/rear	Top/rear
Flue pipe dimension:	Ø150 mm	Ø150 mm
Weight:	115 kg	115 kg
Optional equipment:	Cover for rear leg, soapstone top	Cover for rear leg, soapstone top
Dimensions, distances:	See fig. 1	See fig. 1

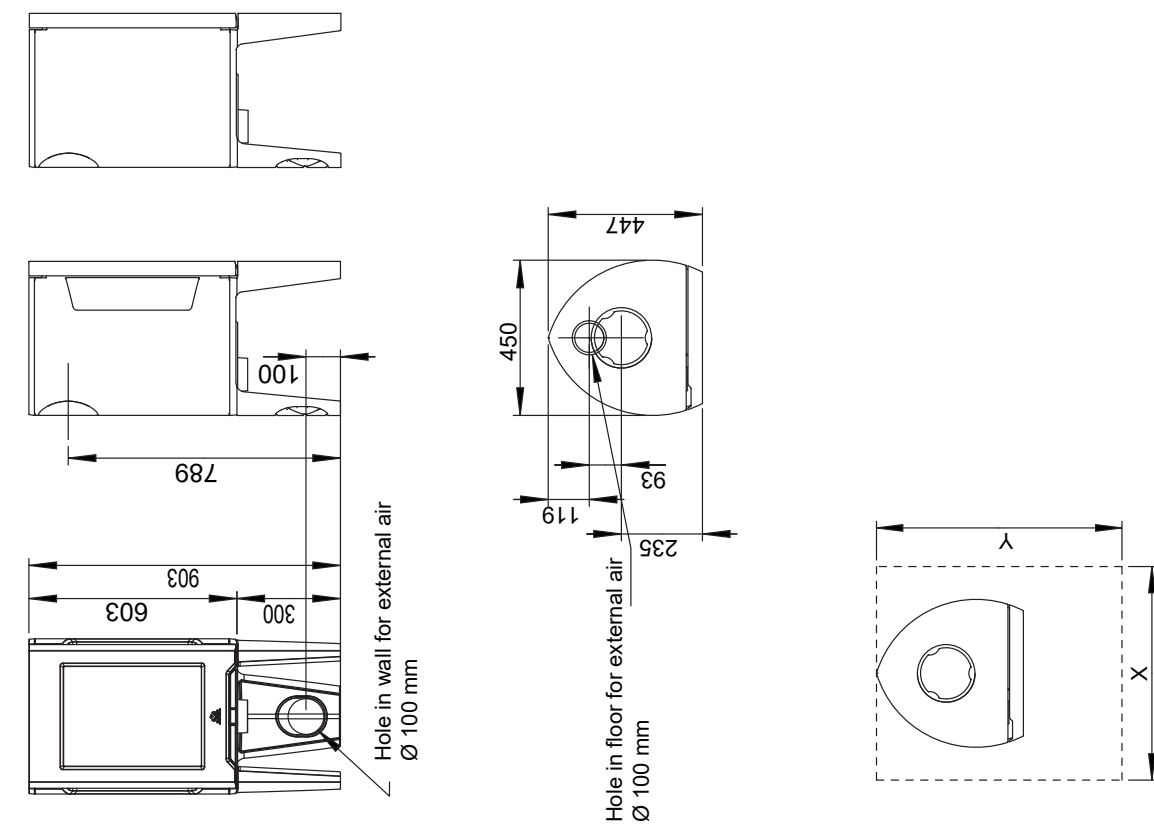
Technical data according to EN 13240

	Jøtul F 162	Jøtul F 163
Nominal heat output:	5 kW	5 kW
Flue gas mass flow:	5,0 g/s	5,0 g/s
Recommended chimney draught:	12 Pa	12 Pa
Efficiency:	83%@5,9 kW	82%@5,9 kW
CO emission (13% O ₂):	0,06%	0,10%
CO emission (13% O ₂):	792 mg/Nm ³	1242 mg/Nm ³
Flue gas temperature:	260° C	260° C
Operational type:	Intermittent	Intermittent

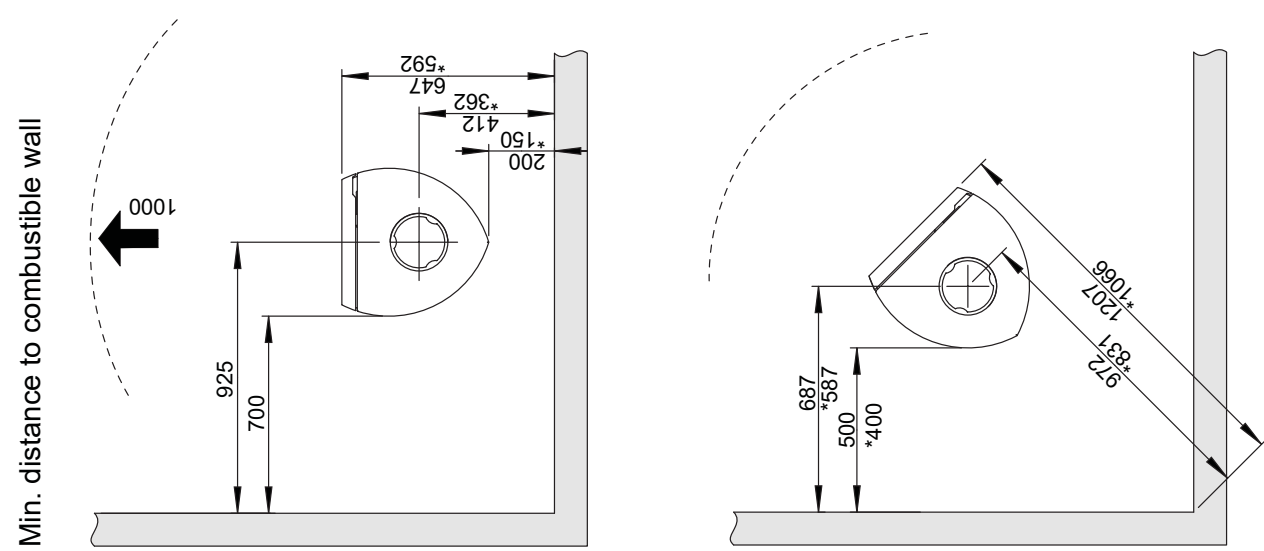
Intermittent combustion is here taken to mean normal use of a fireplace. I.e. that a new flame chamber is lit as soon as the fuel has burnt down to the appropriate quantity of embers.

Jøtul F 162 / Jøtul F 163

Fig. 1a



Min. measurements floor plate X, Y =
According to national standards
and regulations. See chapter 4.1

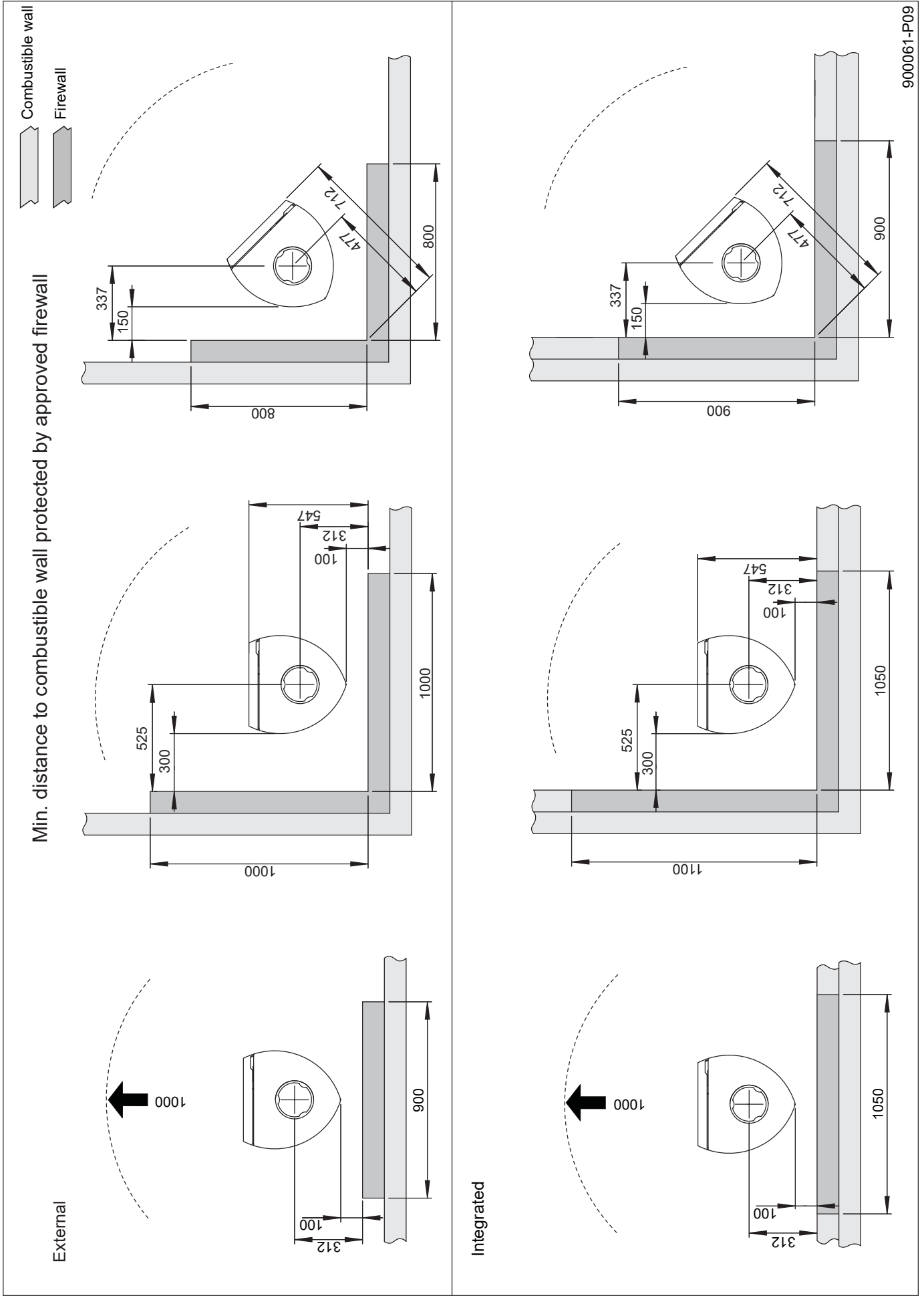


* With semi-insulated chimney / covered flue pipe down towards the product.

Combustible wall

Jøtul F 162 / Jøtul F 163

Fig. 1b



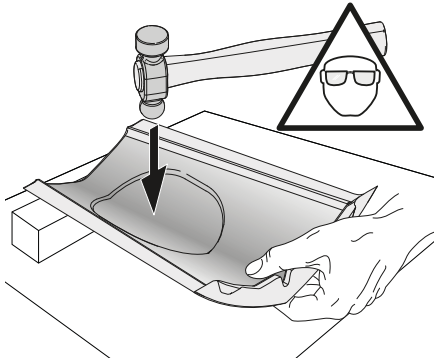
Air supply

The outside air connection may be fitted directly to the product through:

- Through a flexible supply hose from the outside or chimney (only if the chimney has its own duct for external air) and to the product's outside air connector.

Fig. 2a, through an outside wall

Important! The knockout for the outside air connection must be removed from the inside. Use safety goggles.



Tip: It is a great advantage if the rear leg is dismantled before removing the knockout.

1. Lay the product carefully down on its side. You can put the cardboard packaging on the floor to protect it from scratches, etc.
2. Remove the rear leg.
3. Use a heavy mallet and strike hard in the middle of the knockout.

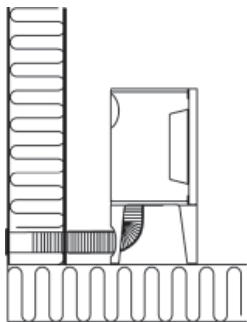


Fig. 2b, through the floor and ground plate

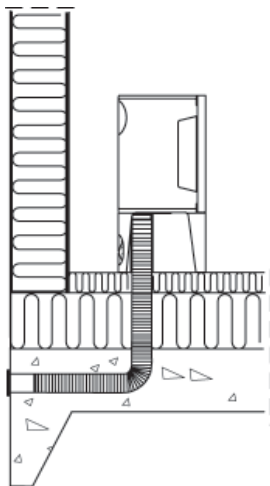


Fig. 2c, through the floor and basement

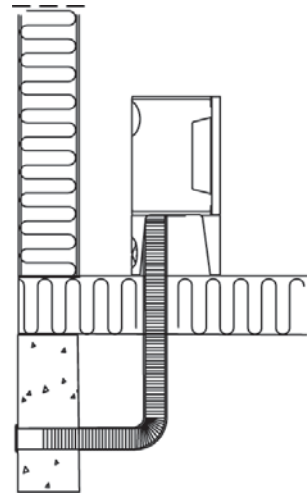
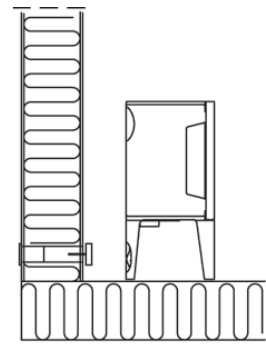


Fig. 2d, indirectly through an outside wall



3.0 Safety

NB! To guarantee optimal performance and safety, Jøtul stoves must be fitted by a qualified installer.

Any modifications to the product by the distributor, installer or consumer may result in the product and safety features not functioning as intended. The same applies to the installation of accessories or optional extras not supplied by Jøtul. This may also be the case if parts that are essential to the functioning and safety of the fireplace have been disassembled or removed. In all these cases, the manufacturer is not responsible or liable for the product and the right to make a complaint becomes null and void.

3.1 Fire Prevention Measures

There is a certain element of danger every time you use your fireplace. The following instructions must therefore be followed:

- The minimum safety distances when installing and using the fireplace are given in fig. 1.
- Ensure that furniture and other flammable materials are not too close to the fireplace. Flammable materials should not be placed within 1 metre of the fireplace.
- Allow the fire to burn out. Never extinguish the flames with water.
- The fireplace becomes hot when lit and may cause burns if touched.
- Only remove ash when the fireplace is cold. Ash can contain hot embers and should therefore be placed in a non-flammable container.
- Ash should be placed outdoors or be emptied in a place where it will not present a potential fire hazard.

ENGLISH

In case of chimney fire:

- Close all hatches and vents.
- Keep the firebox door closed.
- Check the loft and cellar for smoke.
- Call the fire service.
- Before use after a fire an expert must check the fireplace and the chimney in order to ensure that it is fully functional.

4.0 Installation

N.B. Check that the fireplace is free of any damage prior to commencing installation.

The product is heavy! Make sure you have assistance when erecting and installing the fireplace.

4.1 Floor

Foundations

Ensure that the floor is strong enough for the fireplace. See «2.0 Technical data» for weights. It is recommended that flooring which is not fastened to the foundations – so-called floating flooring – is removed during installation.

Combustible floor protection

If the fireplace is to be mounted on a combustible floor, cover the floor under and in front of the fireplace with a plate of metal or other non-combustible material. The recommended minimum thickness is 0,9 mm.

Jøtul recommends that any flooring made of combustible material, such as linoleum, carpets, etc. should be removed from under the floor plate.

The plate must be in accordance with national laws and regulations.

Contact your local building authority regarding restrictions and installation requirements.

4.2 Walls (fig. 1a)

Distance to wall made of combustible material

You may use the fireplace with an uninsulated flue pipe provided the distances to walls made of combustible materials are as shown in fig. 1.

Distance to wall with insulated flue pipe: See fig. 1.

Distance to walls covered by a firewall (fig. 1b and fig. 1c)

Contact your local building authority regarding restrictions and installation requirements.

Firewall requirement

The firewall must be at least 100 mm thick and be made of brick, concrete-stone or light concrete. Other materials and constructions with satisfactory documentation may also be used.

Distance to non combustible walls

By non combustible one means a non load-bearing wall of solid brickwork/concrete.

Contact your local building authority regarding restrictions and installation requirements.

4.3 Chimneys and flue pipes

- The fireplace can be connected to a chimney and flue pipe approved for solid fuel fired appliances with flue gas temperatures specified in «2.0 Technical data».
- The chimney's cross-section must be at least as big as the flue pipe's cross-section. See «2.0 Technical data» when calculating the correct chimney cross-section.
- Several solid fuel fired appliances can be connected to the same chimney if the chimney's cross-section is sufficient.
- Connection to the chimney must be carried out in accordance with the installation instructions from the supplier of the chimney.
- Before making a hole in the chimney the fireplace should be test-mounted in order to correctly mark the position of the fireplace and the hole in the chimney. See fig. 1 for minimum dimensions.
- Ensure that the flue pipe is inclined all the way up to the chimney.
- Use a flue pipe bend with a sweeping hatch that allows it to be swept.

Be aware of the fact that it is particularly important that connections have a certain flexibility in order to prevent movement in the installation leading to cracks.

N.B. A correct and sealed connection is very important for the proper functioning of the product.

Chimney draught; See «2.0 Technical data». If the draught is too strong you can install and operate a flue damper to control the draught.

4.4 Assembly prior to installation

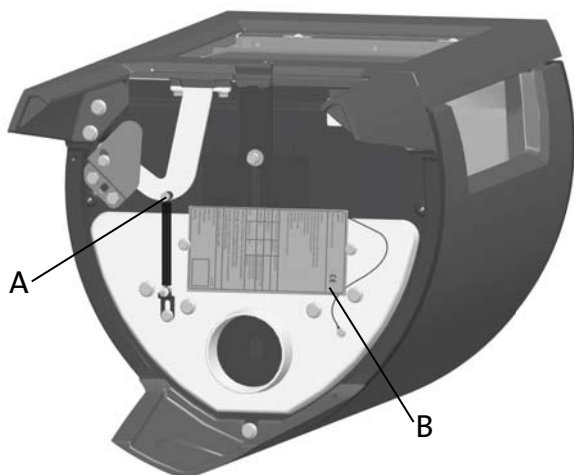
The product is delivered in a single packing case.

After unpacking the stove check that the stove is free of any damage and that the regulating handles works.

4.5 Selfclosing doormechanism

The product is delivered with a selfclosing doormechanism. If wanted this can be removed.

Fig. 3



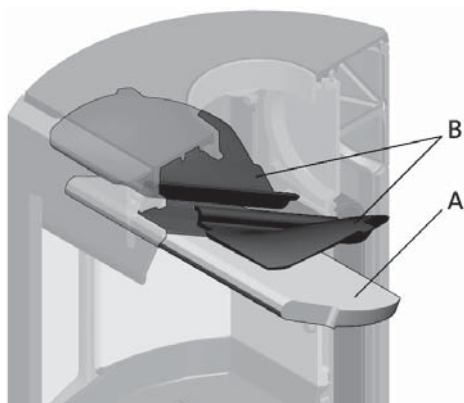
1. Unscrew the screw and nut (fig. 3 A).
2. Unhook and remove the spring.

4.6 Fitting the flue pipe with the rear outlet

The product is supplied from the factory with the smoke outlet fitted for the top outlet.

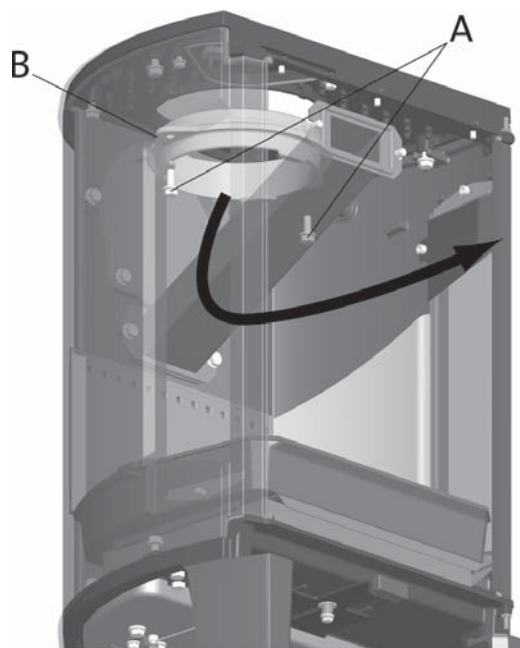
NB! Proceed as follows for installation with a rear outlet:

Fig. 4



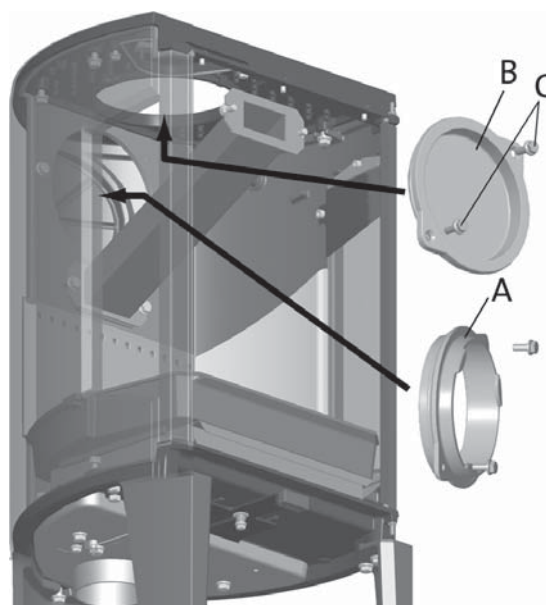
1. Lift the baffle (Fig. 4 A) up carefully.
2. Remove one of the side burn plates by lifting them up a little and then out. (Be aware if using tools, that vermiculite plates may be damaged by rough handling).
3. Remove the baffle.
4. Remove the other side burn plate.
5. Remove the exhaust deflectors (Fig. 4 B).

Fig. 5



6. Unscrew the screws (fig. 5 A) and remove the smoke outlet (fig. 5 B) from the top outlet from the inside of the burn chamber.

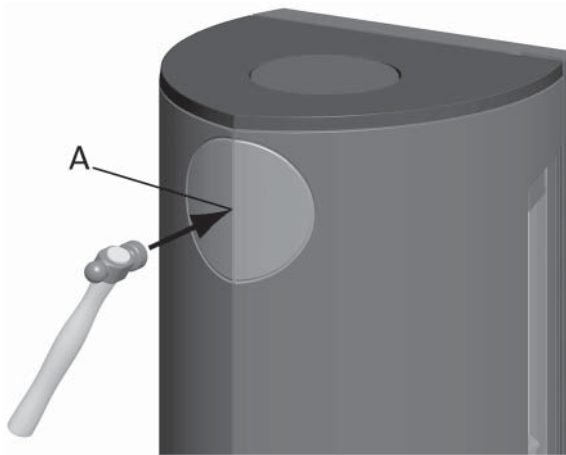
Fig. 6a



7. Unscrew the screws (fig. 6a C) and remove the cover (fig. 6a B) from the rear outlet from the inside of the burn chamber.

ENGLISH

Fig. 6b



8. Knock out the removable cover plates (fig. 6b A).
9. Attach the smoke outlet (fig. 6a A) on the inside of the burn chamber where the cover was.
10. Install the cover (fig. 6a B) where the smoke outlet was.
11. Refit the exhaust deflectors (fig. 4 B) and the baffle plate (fig. 4 A).

4.7 Control of functions

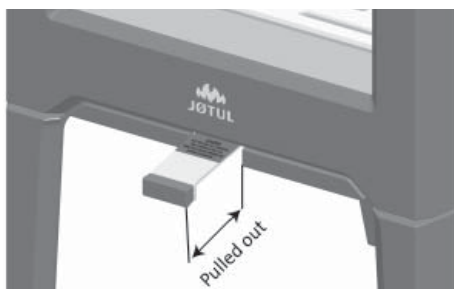
When the product is set up, always check the control functions. These shall move easily and function satisfactorily.

Jøtul F 162 and F 163 are equipped with the following control:

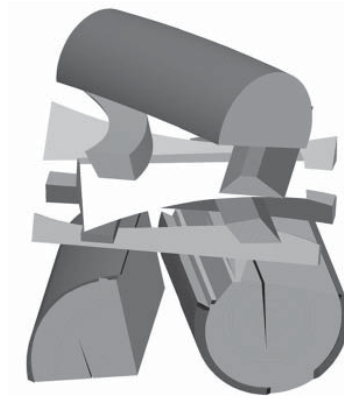
Ignition vent/air vent

Ignition

Fig. 7a



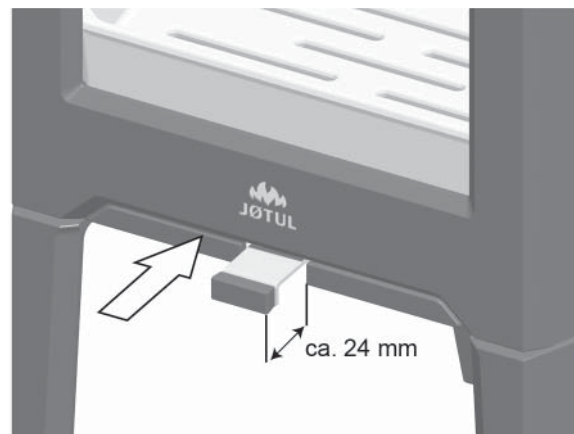
- Open the ignition vent and air vent by pulling the handle all the way out. (Use a glove or something similar to protect your hand in case the handles are hot.)



- Place two logs at the bottom of the burn chamber and pile the kindling in layers.
- Finally, place a medium-sized log on the top of the pile.
- Place 2 or 3 briquettes or kindling sticks under the top layer of kindling and light the fire.

Heating

Fig. 7b



- Leave the ignition-/air vent 24 mm (fig. 7 B) open when the wood has caught fire properly and is burning well.
- Close the door.
- You can then regulate the rate of combustion to give the heat you want by adjusting the air vent.
- Check that the afterburning (secondary combustion) starts. This is best indicated by yellow, flickering flames in front of the holes under the baffle.

Adding firewood

Stoke the stove frequently but only add small amounts of fuel at a time. If the stove is filled too full, the heat created may cause extreme stress in the chimney. Add fuel to the fire in moderation. Avoid smouldering fires as this produces the most pollution. The fire is best when it is burning well and the smoke from the chimney is almost invisible.

4.7 Danger of overheating

The fireplace must never be used in a manner that causes overheating

Overheating occurs when there is too much fuel and/or too much air so that too much heat develops. A sure sign of overheating is when parts of the fireplace glow red. If this happens, reduce the air vent opening immediately.

Seek professional advice if you suspect that the chimney is not drawing properly (too much/too little draught). For further information, see «4.0 Installation» (Chimney and flue pipe).

5.0 Daily use

Odours when using the fireplace for the first time

When the fireplace is used for the first time, it may emit an irritating gas which may smell slightly. This happens because the paint dries. The gas is not toxic but the room should be thoroughly ventilated. Let the fire burn with a high draught until all traces of the gas have disappeared and no smoke or odours can be detected.

5.1 Operation

Heating advice

NB: Logs that have been stored outdoors or in a cold room should be brought indoors 24 hours before use to bring them up to room temperature.

There are various ways of heating the stove but it is always important to be careful about what you put in the stove. See the section on "Wood quality".

Wood quality

By quality wood we mean most well-known types of wood such as birch, spruce and pine.

The logs should be dried so that the moisture content is no more than 20%.

To achieve this, the logs should be cut during the late winter. They should be split and stacked in a way that ensures good ventilation. The wood stacks should be covered to protect the logs from rain. The logs should be brought indoors during early autumn and stacked/stored for use in the coming winter.

Be especially careful never to use the following materials as fuel in your fireplace:

- Household rubbish, plastic bags, etc.
- Painted or impregnated timber (which is extremely toxic).
- Laminated wooden planks.
- Driftwood

These may harm the product and are also pollutants.

NB: Never use petrol, paraffin, methylated spirit or similar liquids to light the fire. You may cause serious injury to yourself and damage to the product.

Wood consumption

Use of wood, with nominal heat emission: Approx. 1,6 kg/h. Another important factor for proper fuel consumption is that the logs are the correct size. The size of the logs should be:

Kindling:

Length: 23-33 cm

Diameter: 2 - 5 cm

Amount per fire: 6 - 8 pieces

Daily use

Firewood (split logs):

Length: 23 - 33 cm

Diameter: Approx. 8 cm

Intervals for adding wood: Approximately every 45 minutes

Size of the fire: 1,2 kg

Amount per load: 2 pieces

Nominal heat output and efficiency are based on heating with total 1,15 kg beech (2 logs). The air vent was pulled out 24 mm. Nominal heat emission is achieved when the air vent is open approximately 60 %.

Maximum use

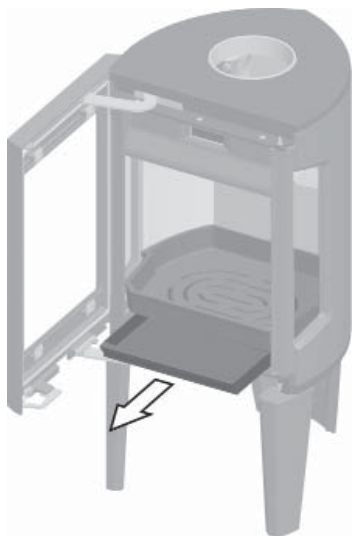
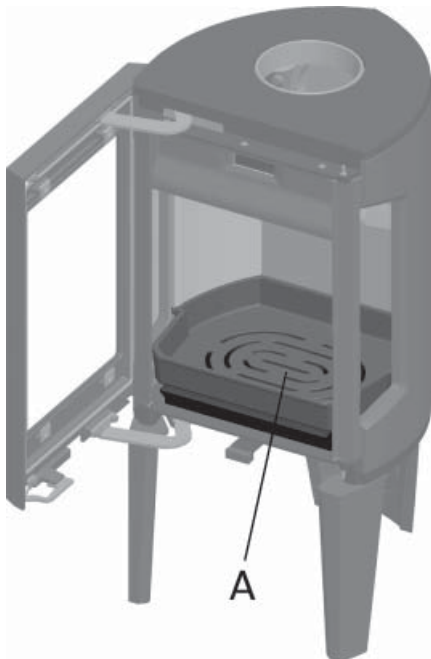
Max. load: 2,9 kg/h (max. 3 pieces per load /2,2 kg per load)

ENGLISH

5.2 Ash removal

Jøtul F 162 / F 163 have an ash pan which makes it easy to remove the ash.

Fig. 8



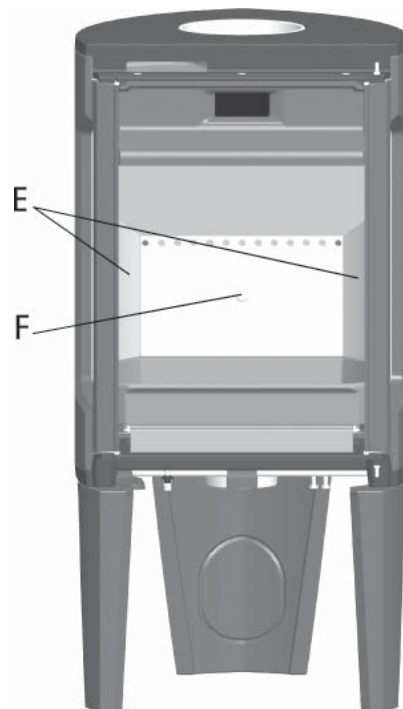
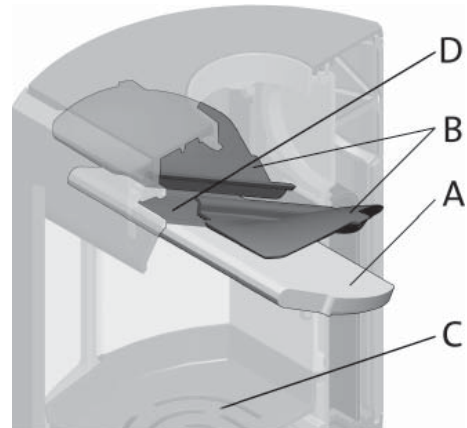
1. Scrape the ash through the grate (fig. 8 A) in the base plate and into the ash pan. Use a glove to grab the handle on the ash pan.
1. Make sure that the ash pan doesn't fill up so high that it keeps ash from coming through the grate into the pan.

6.0 Service

Warning! Any unauthorised change to the product is not allowed. Only use original spare parts.

6.1 Changing the burn plates/inner bottom plate

Fig.9



1. Lift the baffle (Fig. 9 A) up carefully.
2. Remove one of the side burn plates (Fig. 9 E) by lifting them up a little and then out. (Be aware if using tools, that vermiculite plates may be damaged by rough handling).
3. Remove the baffle.
4. Remove the other side burn plate.
5. Unscrew the M8x25 mm screw on the rear burn plate (Fig. 9 F) and remove the burn plate.
6. Then lift up and remove the inner bottom plate (Fig. 9 C). Follow the same procedure for installation, but in the opposite sequence.

6.2 Changing the baffle plate

- Follow step 1 -3 under Fig. 9.
- Access is then easy to the smoke deflectors (Fig. 9 B) if they need to be removed. They are situated on 1 knob on the side and on the air manifold (fig. 9 D).
- Edge them down and remove them through the door.

For re-installation follow the same procedure in the opposite sequence.

7.0 Maintenance

7.1 Cleaning the glass

The product is equipped with an air wash for the glass. Air is sucked in through the air vent on the top of the product and down along the inside of the glass.

However, some soot will always stick to the glass, but the quantity will depend on the local draught conditions and adjustment of the air vent. Most of the soot layer will normally be burned off when the air vent is opened all the way and a fire is burning briskly in the fireplace.

Good advice! For normal cleaning, moisten a paper towel with warm water and add some ash from the burn chamber. Rub it over the glass and then clean the glass with clean water. Dry well. If it is necessary to clean the glass more thoroughly we recommend using a glass cleaner (*follow the instructions on the bottle*).

7.2 Cleaning and soot removal

Soot deposits may build up on the internal surfaces of the fireplace during use. Soot is a good insulator and will therefore reduce the fireplace's heat output. If soot deposits accumulate when using the product, they can easily be removed by using a soot remover.

In order to prevent a water and tar layer from forming in the fireplace, you should regularly allow the fire to burn hot in order to remove the layer. An annual internal cleaning is necessary to get the best heating effect from your product. It is a good idea to do this when cleaning the chimney and flue pipes.

7.3 Sweeping flue pipes to the chimney

Flue pipes must be swept through the flue pipe sweeping hatch or through the door opening.

One of the baffles will have to be removed first in order to do this.

7.4 Inspection of the fireplace

Jøtul recommends that you carefully inspect your fireplace yourself after it has been swept/cleaned. Check all visible surfaces for cracks. Also check that all joints are sealed and that the gaskets are in the correct position. Any gaskets showing signs of wear or deformation must be replaced.

Thoroughly clean the gasket grooves, apply ceramic glue (available from your local Jøtul dealer) and press the gasket well into place. The joint will dry quickly.

7.4 Exterior maintenance

Painted products may change colour after several years' usage. The surface should be cleaned and brushed free of any loose particles before new paint is applied.

8.0 Operational problems - troubleshooting

Poor draught

Check the length of the chimney and that it complies with national laws and regulations. (See also «**2.0 Technical data**» and «**4.0 Installation**» (**Chimney and flue pipe**) in the installation manual for information.)

Make sure that the minimum cross section on the chimney is according to «**2.0 Technical data**» in the installation manual. Make sure that there is not anything preventing the smoke gasses from escaping: branches, trees, etc.

Upon suspicion of excessive/poor draught in the chimney, seek professional help for measurement and adjustment.

The fire extinguishes after a while

- Make sure that the firewood is sufficiently dry.
- Find out whether there is negative pressure in the house, close mechanical fans and open a window close to the fireplace.
- Check that the air vent is open.
- Check that the flue outlet is not clogged by soot.

Unusual amount of soot accumulates on the glass

Some soot will always stick to the glass, but the quantity depends on:

- Moisture in the fuel.
- The local draught conditions.
- Air vent opening.

Most of the soot will normally burn off when the air vent is opened all the way and a fire is burning briskly in the fireplace. (See «**7.1 Cleaning the glass**».)

ENGLISH

9.0 Optional equipment

9.1 Leg cover - outside air connection

Cat. no. 51012329

9.2 Soapstone top - 50 mm, complete

Cat. no. 51012327

10.0 Recycling

10.1 Recycling packaging

Your fireplace is delivered with the following packaging:

- A wooden pallet that can be cut up and burned in the fireplace.
- Cardboard packaging that should be taken to a local recycling facility.
- Plastic bags that should be taken to a local recycling facility.

10.2 Recycling the fireplace

The fireplace is made of:

- Metal that should be taken to a local recycling facility.
- Glass that should be disposed of as hazardous waste. The glass in the fireplace must not be placed in a regular source segregation container.
- Vermiculite burn plates that can be disposed of in regular waste containers.

11.0 Guarantee terms

1. Our guarantee covers:

Jøtul AS guarantees that the external cast-iron parts are free from defects in materials or manufacturing at the time of purchase. You may extend the guarantee on the external cast-iron parts to 25 years from the date of delivery by registering the product on jotul.com, and print out the extended guarantee card within three months of purchase. We recommend that the guarantee card be kept together with the receipt. Jøtul AS also guarantees that steel plate parts are free from defects in materials or manufacturing at the time of purchase for a period of 5 years from the date of delivery.

The guarantee applies on the condition that the stove has been installed by a qualified installer in accordance with applicable laws and regulations and Jøtul's installation and operating instructions. Repaired products and replacement items are guaranteed within the original guarantee period.

2. The guarantee does not cover:

- 2.1. Damage to consumables such as burn plates, fire grates, flue baffles, gaskets and similar as these deteriorate over time due to normal wear and tear.
- 2.2. Damage caused as a result of improper maintenance, overheating, use of unsuitable fuel (e.g. of unsuitable fuel are, but not limited to driftwood, impregnated wood, plank offcuts, chipboard) or too moist / wet wood.
- 2.3. Installation of optional extras for the purpose of rectifying local draught conditions, air supply or other circumstances beyond Jøtul's control.
- 2.4. Cases involving alterations / modifications to the fireplace without Jøtul's consent or the use of non-original parts.
- 2.5. Damage caused during storage at a distributor, transport from a distributor or during installation.
- 2.6. Products sold by unauthorized sellers in areas where Jøtul operates a selective distribution system.
- 2.7. Associated cost (e.g. but not limited to, transport, manpower, travel) or indirect damages.

Pellets stoves, glass, stone, concrete, enamel and paint finish (e.g. but not limited to chipping, cracking, bubbling or discolouration and crazing) are applicable to the national legislation governing the sale of consumer goods. This guarantee is valid for purchases made within the territory of the European Economic Area. All guarantee inquiries must be addressed to your local authorized Jøtul dealer within a reasonable amount of time, which shall not be later than 14 days from the date on which the fault or defect first became apparent. See list of importers and dealers on our web site www.jotul.com.

If Jøtul is unable to meet the obligations outlined in the above guarantee terms, Jøtul will offer a replacement product with a similar heating capacity free of charge.

Jøtul reserve the right to decline of any replacement of parts or service in the event that the guarantee is not registered online. This guarantee does not affect any rights under applicable national legislation governing the sale of consumer goods. The national complaint right applies from the purchase date and only in exchange for a receipt / serial number.

Table des matières

Manuel d'installation et données techniques

1.0	Relations avec les autorités.....	15
2.0	Caractéristiques techniques	15
3.0	Sécurité.....	18
4.0	Installation	19
5.0	Utilisation au quotidien	22
6.0	Entretien.....	23
7.0	Maintenance	24
8.0	Dysfonctionnements - Causes et dépannages.....	24
9.0	Équipements en option	25
10.0	Recyclage	25
11.0	Conditions de garantie	25

Enregistrez votre insert sur jotul.com pour la garantie de 25 ans.

Product: Jøtul Room heater fired by solid fuel				
Standard				
Minimum distance to adjacent combustible materials:				
Emission of CO in combustion products:				
Flue gas temperature:				
Nominal heat output:				
Efficiency:				
Operation range:				
Fuel type:				
Operational type:				
The appliance can be used in a shared flue.				
Country	Classification	Certification standard	Approved by	
Norway	Klasse II			
Sweden	etc.	SP	SP Sveriges Provnings- och Forskningsinstitut AB	
EUR	Intermittent	EN	SP-Swedish National Testing and Research Institute	
Follow user's instructions. Use only recommended fuels. Montage- und Bedienungsanleitung beachten. Verwenden Sie nur empfohlenen Brennstoffen. Respectez les consignes d'utilisation. Utilisez uniquement les combustibles recommandés.				
Serial no: Y-xxxx, Year: 200x				
Manufacturer: Jøtul AS POB 1441 N-1602 Fredrikstad Norway				

Tous nos produits sont fournis avec une étiquette indiquant le numéro de série et l'année. Reportez ce numéro à l'endroit indiqué dans les instructions d'installation.

Mentionnez toujours ce numéro lorsque vous contactez votre revendeur ou Jøtul.

Serial no.

1.0 Relations avec les autorités

L'Installation d' un poêle doit être conforme aux codes du bâtiment et réglementations locales de chaque pays.

Toutes les réglementations locales, y compris celles relatives aux normes nationales et européennes, devront être respectées au moment d'installer l'appareil.

Veillez lire attentivement le manuel d'installation et d'utilisation avant de procéder à l'installation. Avant toute mise en service de l'appareil, l'installation devra avoir été agréée par un professionnel qualifié, suivant les pays..

Une plaque signalétique thermorésistante se trouve sur le bouclier thermique, sous l'appareil (fig. 3 B). Elle comporte les informations suivantes : fabricant, adresse, nom du produit, référence catalogue, norme de fabrication, référence de production et puissance.

2.0 Données techniques

	Jøtul F 162	Jøtul F 163
Matériau :	Fonte	Fonte
Finition :	Peinture	Peinture/email
Combustible :	Bois exclusivement	Bois exclusivement
Longueur max. des bûches :	33 cm	33 cm
Sortie de fumée :	Dessus/ derrière	dessus/dessière
Conduit de raccordement :	Ø 150 mm	Ø 150 mm
Poids :	115 kg	115 kg
Équipements en option :	Cache pour pied arrière, dessus en pierre ollaire : complet	Cache pour pied arrière, dessus en pierre ollaire : complet
Dimensions, distances :	Voir fig. 1	Voir fig. 1

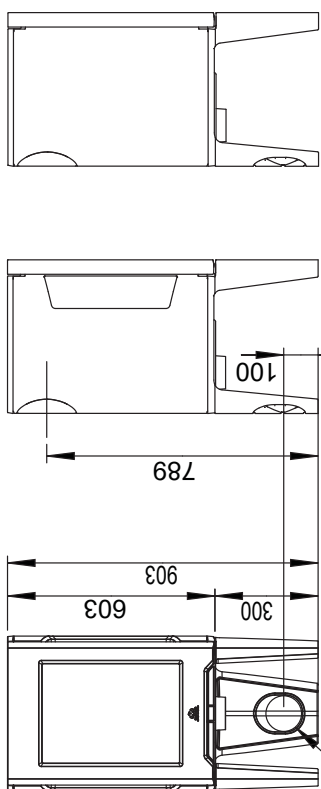
Données techniques conformes à la norme EN 13240 :

	Jøtul F 162	Jøtul F 163
Puissance nominale :	5 kW	5 kW
Débit massique des fumées:	5,0 g/s	5,0 g/s
Tirage de cheminée recommandé :	12 Pa	12 Pa
Rendement :	83%@5,9 kW	82%@5,9 kW
Émissions CO (13 % O ₂):		0,06% 0,10%
Émissions CO ₃ (13 % O ₂):		792 mg/Nm ³
Température des gaz de fumées :	260° C	260° C
Mode de fonctionnement :	Intermittent	Intermittent

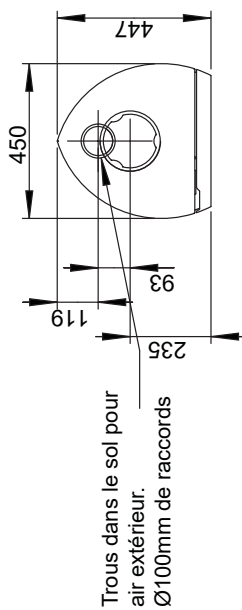
"Combustion intermittente" signifie ici une utilisation normale de la cheminée, c'est-à-dire qu'une nouvelle flambée est initiée dès que le combustible a été réduit à la quantité de braises appropriée.

Jøtul F 162 / Jøtul F 163

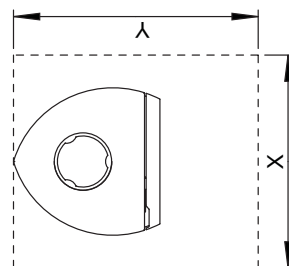
Fig. 1a



Trous dans le mur pour air extérieur.
Ø100mm de raccords



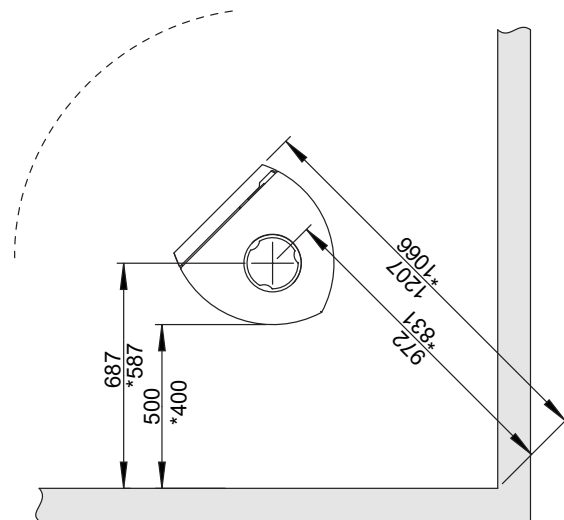
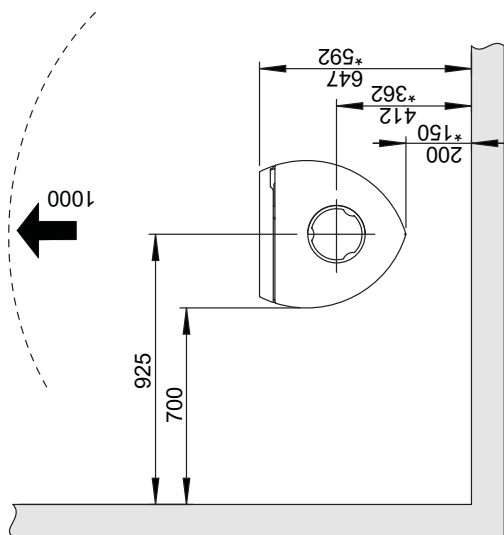
Trous dans le sol pour air extérieur.
Ø100mm de raccords



Dimensions minimales de la plaque de sol X/Y = Conformes aux lois et règlements en vigueur.

Mur en matériau combustible

Espace minimum par rapport à un mur combustible :



* Avec cheminée semi-isolée/conduit de fumée isolé complètement appuyé contre le produit.

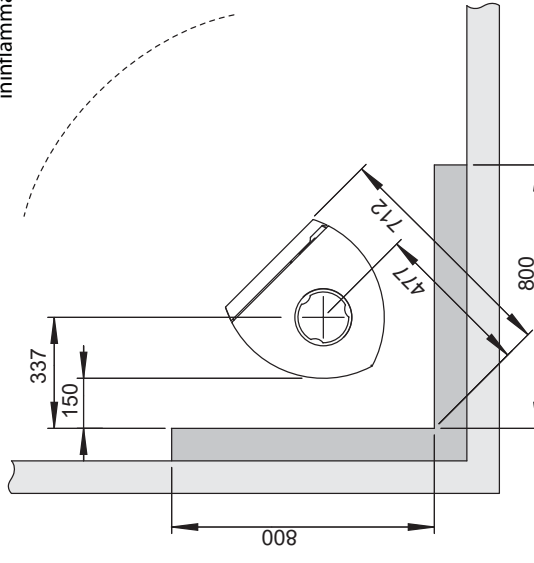
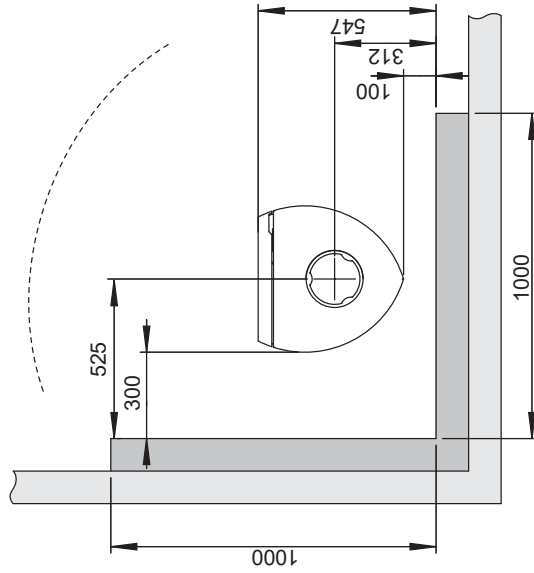
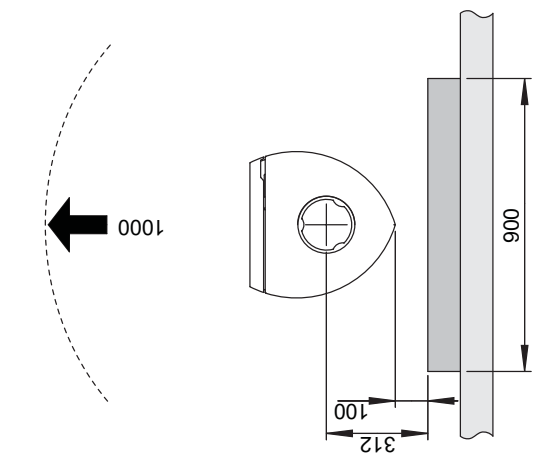
Jøtul F 162 / Jøtul F 163

Fig. 1b

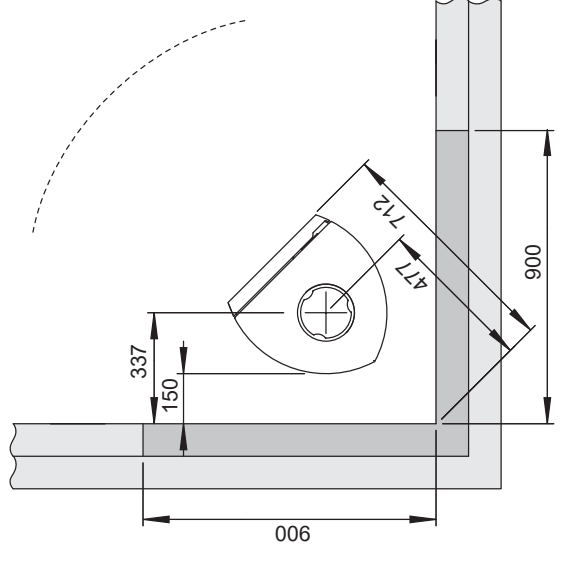
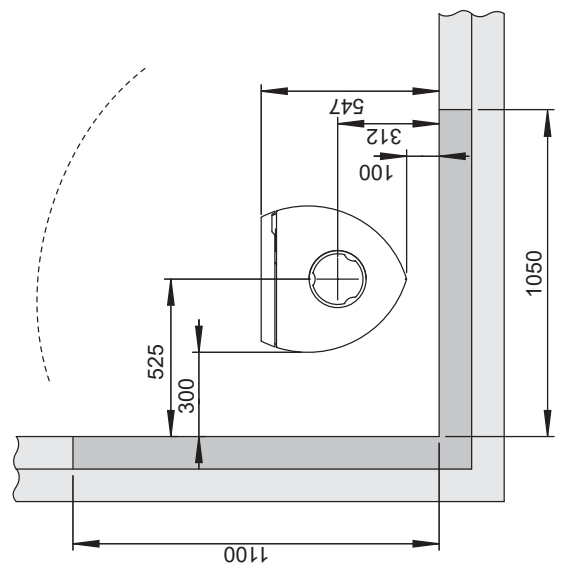
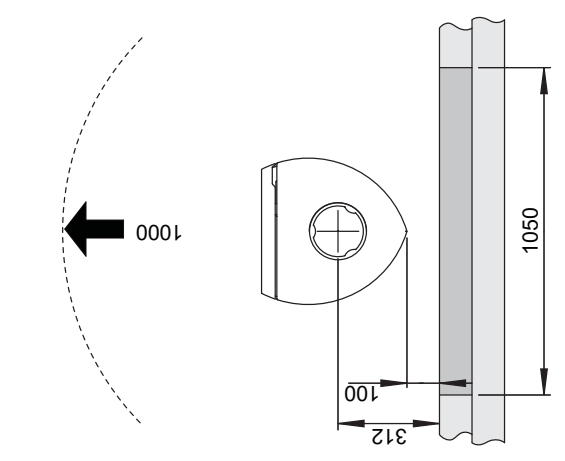
Distance minimale par rapport au mur en matériau combustible protégé par un pare-feu

Mur en matériau combustible
Mur ininflammable

Externe



Intégré



900061-P09

FRANCAIS

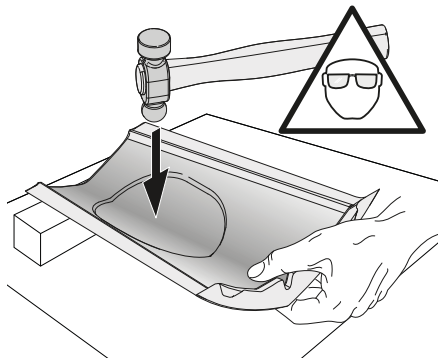
Arrivée d'air

L'arrivée d'air frais peut être raccordée directement au poêle Jøtul F 162 / Jøtul F 163 par :

- Un tuyau flexible depuis l'extérieur ou la cheminée (seulement si celle-ci dispose d'une conduite propre pour l'air frais) et vers le raccord d'air frais de l'appareil.

Fig. 2a, par un mur

Important ! Veuillez toujours frapper depuis l'intérieur du pied. Portez des lunettes de sécurité contre les éclats de fonte.



Astuce : il est préférable de démonter le pied arrière pour ouvrir le passage de gaine.

1. Coucher le poêle sur un côté. vous pouvez le protéger avec le carton d'emballage.
2. Démonter le pied arrière.
3. Utiliser un marteau lourd et tapez fort au centre de la prédécoupe.

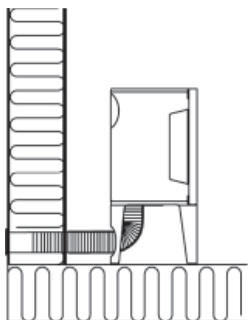


Fig. 2b, par le sol et la plaque de sol

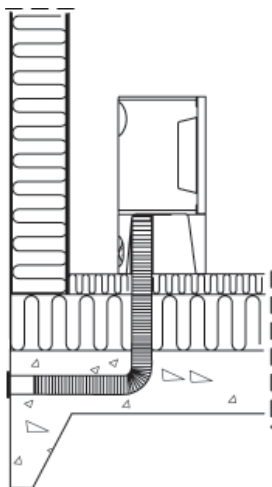


Fig. 2c, par le sol et la cave

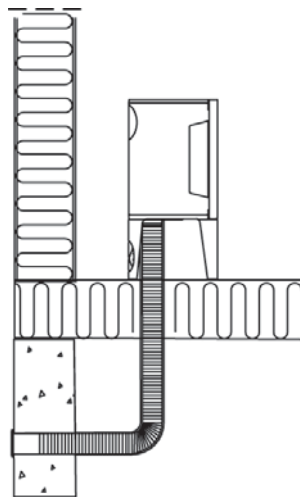
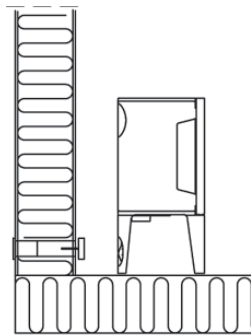


Fig. 2d, indirectement par un mur



3.0 Sécurité

Remarque : Afin d'assurer un niveau de rendement et de sécurité optimal, l'installation d'un poêle Jøtul doit être confiée à un installateur qualifié.

Toute modification de l'appareil par le distributeur, l'installateur ou l'utilisateur final, risque de compromettre le bon fonctionnement de l'appareil et de ses éléments de sécurité. Ceci s'applique également à l'installation d'accessoires ou d'équipements en option qui ne sont pas fournis par Jøtul. Ce risque peut par ailleurs survenir dans le cas où des pièces ou éléments essentiels pour le bon fonctionnement et la sécurité du poêle, ont été désassemblés ou retirés.

Dans tous ces cas, le fabricant ne pourra être tenu responsable pour le produit et le droit de recours à la garantie sera rendu nul et sans effet.

3.1 Mesures de prévention anti-incendie

Toute utilisation du poêle comporte un certain degré de risque. C'est pourquoi, il est indispensable de toujours respecter les consignes de sécurité suivantes :

- Les distances minimales à respecter en utilisant le poêle ressortent de la figure 1.
- Assurez-vous que les meubles et autres matériaux inflammables ne sont pas trop rapprochés du poêle. Pas de matériaux inflammables dans un rayon de 1 mètre du poêle.
- Laissez le feu s'éteindre de lui-même. Ne tentez jamais

d'éteindre le feu avec de l'eau.

- Le poêle devient chaud lorsqu'il est allumé et peut provoquer des brûlures à la personne qui le touche.
- Attendez que le poêle soit froid pour retirer les cendres. Les cendres pouvant encore contenir des braises, il convient de les recueillir dans un réceptacle ininflammable.
- Il convient d'épandre les cendres à l'extérieur ou de les vider dans un endroit ne présentant aucun risque d'incendie.

En cas de feu de cheminée:

- Fermer l'ensemble des trappes et des entrées d'air.
- Maintenir la porte de la chambre de combustion fermée.
- Vérifier toute présence de fumée dans le grenier et dans la cave.
- Contacter le service de sécurité incendie.
- Suite à un feu de cheminée, le foyer et la cheminée doivent être contrôlés par un spécialiste avant toute nouvelle utilisation afin de s'assurer que l'installation est opérationnelle.

4.0 Installation

N.B. Avant de procéder à l'installation, vérifiez que la cheminée est intacte.

Le produit est lourd ! Veillez à obtenir de l'aide avant de le redresser et de l'installer.

4.1 Le sol

Socle

Assurez-vous que le sol puisse supporter la cheminée. Voir la section « 2.0 Données techniques » consacrée aux poids spécifiques. Il est recommandé d'enlever le revêtement de sol pendant l'installation si celui-ci n'est pas solidaire du socle (parquet flottant).

Protection d'un sol inflammable

En cas de montage de la cheminée sur un sol combustible, recouvrez la partie du dessous et du devant de la cheminée d'une plaque de métal ou de tout autre matériau inflammable. L'épaisseur minimum recommandée est de 0,9 mm. Jøtul recommande de retirer tout revêtement de sol combustible (linoléum, moquette, etc.) sur la surface couverte par la plaque de sol.

La plaque de sol doit être conforme aux législations et réglementations nationales.

En raison des différences locales entre les prescriptions en vigueur, nous vous conseillons de prendre contact avec les autorités locales compétentes.

4.2 Les murs (fig. 1a)

Distance par rapport à un matériau inflammable

La cheminée peut être utilisée avec un conduit de fumée non isolé, à condition que les distances entre le poêle et les murs/cloisons inflammables soient conformes à la fig. 1. Distance par rapport à un mur avec conduit de cheminée non isolé : Voir fig. 1.

Distance par rapport aux murs protégés par un pare-feu (fig. 1b et fig. 1c)

En raison des différences locales entre les prescriptions en vigueur, nous vous conseillons de prendre contact avec les autorités locales compétentes.

Exigences relatives à la cheminée

La cheminée doit avoir une épaisseur minimale de 100 mm et se composer de briques, de blocs de béton ou de béton léger. Des constructions et des matériaux différents peuvent aussi être utilisés s'ils présentent un dossier d'application satisfaisant.

Distance par rapport aux murs ininflammables

Par mur ininflammable on entend un mur massif non porteur en brique ou en béton.

En raison des différences locales entre les prescriptions en vigueur, nous vous conseillons de prendre contact avec les autorités locales compétentes.

4.3 Cheminées et conduits d'évacuation

- L'appareil peut être raccordé à une cheminée et à un conduit approuvés pour les poeles à combustible solide, avec les températures de fumées spécifiées dans la section « 2.0 Données techniques ».
- La section transversale minimale de la cheminée doit correspondre au moins à celle du conduit. Voir «2.0 Données techniques» lors du calcul de la section de cheminée appropriée.
- Plusieurs appareils à combustible solide peuvent être raccordés au même système de cheminée, dès l'instant où la section est suffisante.
- Le raccordement à la cheminée doit être effectué conformément aux instructions d'installation du fournisseur de la cheminée.
- Procédez à un montage d'essai avant de percer un trou dans la cheminée, afin d'assurer un montage correct. Voir la fig. 1 pour les dimensions minimales.
- Raccordement à l'arrière : assurez-vous que le conduit d'évacuation est bien incliné légèrement vers le haut à partir du poêle.
- Utilisez un coude de conduit doté d'une trappe afin de permettre les opérations de ramonage, suivant les pays.

Veillez impérativement à ce que les raccordements présentent un certain degré de flexibilité afin de prévenir des mouvements pouvant provoquer des fissures dans l'installation.

N.B. Un raccordement correct et étanche est essentiel pour assurer le bon fonctionnement de l'appareil.

Tirage recommandé; Voir «2.0 Données techniques». En cas de tirage trop important, installer et utiliser un réducteur de tirage.

4.4 Montage avant l'installation

Le produit est fourni en un seul colis.

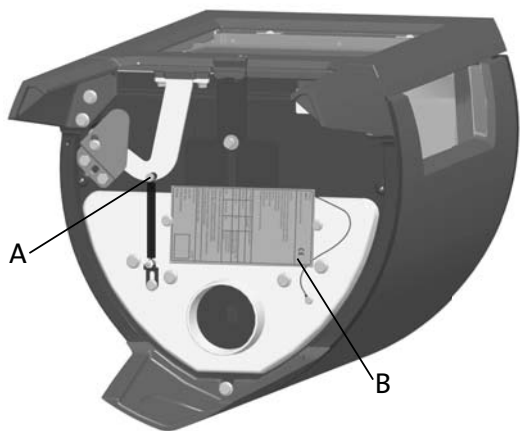
- Une fois le poêle déballé, assurez-vous qu'il ne présente aucun dommage et que les poignées de commande fonctionnent.

FRANCAIS

4.5 Dépose du mécanisme de fermeture automatique sur la porte

Le produit est livré avec le mécanisme de fermeture automatique de porte pré-installé. Il pourra être retiré le cas échéant.

Fig. 3

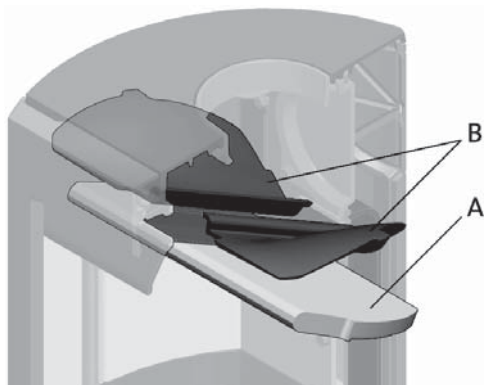


1. Déposez la vis et l'écrou (Fig. 3 A).
2. Décrochez et retirez le ressort.

4.6 Sortie de fumées à l'arrière

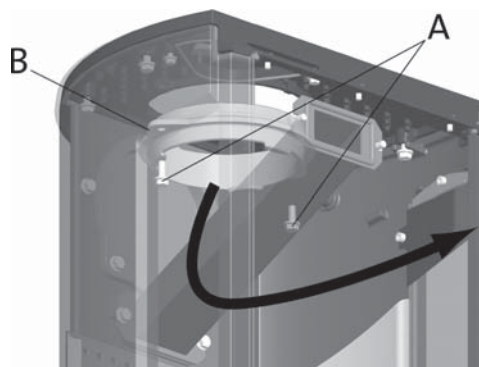
L'appareil est livré avec la buse pour un raccordement dessus. **N.B. Procéder comme suit pour le raccordement arrière :**

Fig. 4



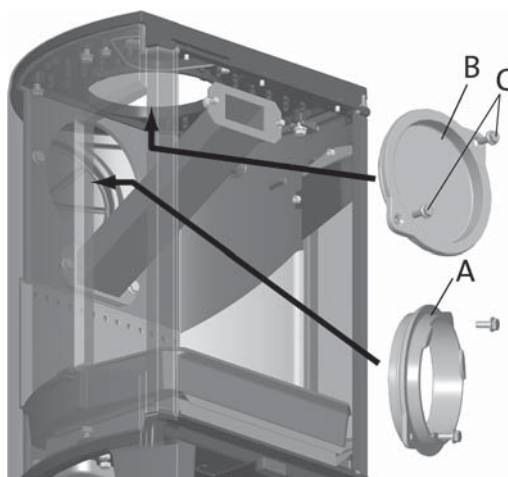
1. Soulevez délicatement la chicane (fig. 4 A).
2. Déposez l'une des plaques de doublage latérales en la soulevant légèrement pour la dégager. (Si vous utilisez des outils, n'oubliez pas qu'une manipulation brutale peut endommager les plaques de vermiculite).
3. Retirez le déflecteur.
4. Retirez l'autre plaque de doublage latérale.
5. Retirez les déflecteurs supérieurs (fig. 4 B).

Fig. 5



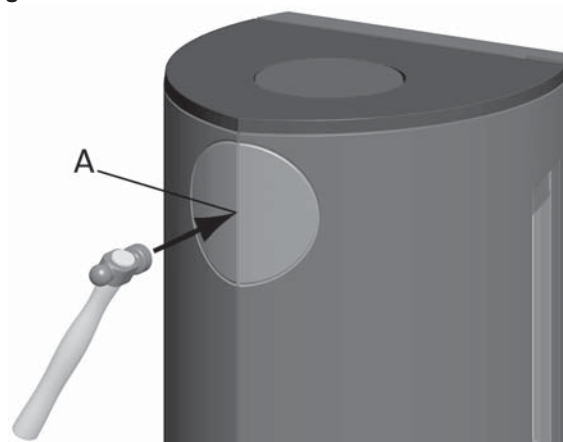
6. Dévisser les vis (fig.5 A) et retirer la buse (fig. 5B) par l'intérieur de la chambre de combustion.

Fig. 6a



7. Desserrer les vis (fig. 6a C) et retirer la cache sortie de fumées (fig. 6a B) de l'arrière par l'intérieur de la chambre de combustion.

Fig. 6b



8. Cassez les cache passage de tuyau (fig 6b A).
9. Fixer la buse par l'intérieur à la place du cache sortie de fumées.
10. Remettre en place les déflecteurs hauts (fig. 4 B) et bas (fig. 4 A).

4.7 Contrôle des fonctions

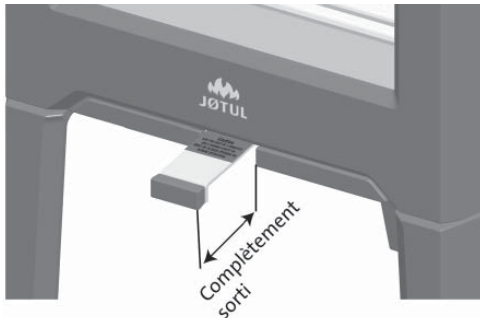
Une fois le poêle installé, vérifiez toujours les commandes. Elles doivent pouvoir être actionnées facilement et fonctionner correctement.

Les modèles Jøtul F 162 et F 163 sont équipés des commandes suivantes:

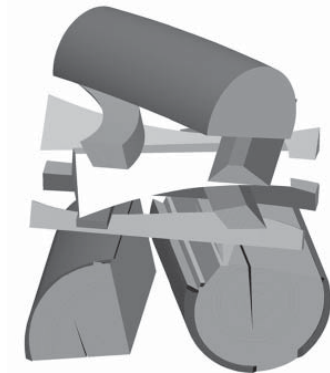
Commande d'entrée d'air inférieure (allumage)/supérieure

Allumage

Fig. 7a



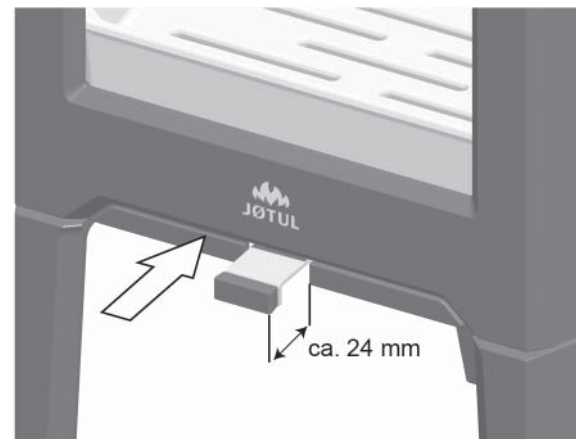
- Ouvrir le registre d'air frais et le registre d'allumage en tirant le poignée à fond. (Portez un gant ou une protection similaire pour vous protéger la main si les poignées sont brûlantes.)



- Disposez deux bûches au fond du poêle et empilez le bois d'allumage en strates successives.
- Pour finir, placez une bûche de taille moyenne au sommet de la pile de bois.
- Placez 2 ou 3 briquettes sous la plus haute strate de bois d'allumage puis allumez le feu.

Chauffage

Fig. 7b



- Une fois que le feu a bien pris, fermez le registre d'arrivée d'air (fig. 7 B) sur environ 24 mm.
- Lors du premier allumage, laissez la porte ouverte jusqu'à ce que la façade soit bien chaude pour éviter que les joints ne collent à la peinture.
- Fermez la porte.
- Vous pouvez régler la vitesse de combustion pour obtenir le degré de chauffage souhaité en ajustant le registre d'air frais.
- Vérifiez que la postcombustion (combustion secondaire) démarre. On le voit aux flammes jaunes, dansantes, devant les trous sous le déflecteur.
- Conseil pratique : Pour ne pas risquer d'oublier de fermer l'entrée d'air inférieure (fig. 7 B) ce qui pourrait être dommageable pour l'appareil, privilégiez la porte ouverte pour allumer ou relancer le feu.

Ajouter du bois

Alimentez le poêle régulièrement mais n'ajoutez que de petites quantités de combustible à la fois. Si la combustion est trop vive, la contrainte thermique dans la cheminée risque de devenir excessive. Faites preuve de modération. Évitez les feux couvants car ils sont les plus polluants. Le feu est parfait lorsque le bois brûle bien et que la fumée qui sort de la cheminée est pratiquement invisible.

4.8 Risque de surchauffe

Ne surchauffez jamais le poêle

La surchauffe est provoquée par un excès de combustible et/ou d'air qui donne lieu à un dégagement de chaleur trop important. Lorsque le poêle devient incandescent par endroits, c'est un signe incontestable de surchauffe. Si le cas se produit, réduisez immédiatement l'apport d'air frais. En cas de surchauffe, la garantie ne pourrait pas être assurée.

Si vous pensez que la cheminée tire mal (tirage excessif ou insuffisant), contactez un spécialiste. Pour plus de détails, reportez-vous à «4.0 Installation » (Cheminée et conduit d'évacuation).

5.0 Utilisation au quotidien

Odeurs perceptibles lors de la première utilisation du poêle

Lors de la première utilisation, le poêle peut émettre un gaz irritant et dégager des odeurs désagréables. Ceci se produit lorsque la peinture sèche. Ce gaz n'est pas toxique, mais il est recommandé de bien aérer la pièce. Maintenir une température élevée dans le poêle jusqu'à qu'aucun gaz, fumée ou odeur ne puisse être détecté.

5.1 Utilisation

Conseils de chauffage

Remarque : Il est recommandé d'entrer les bûches qui ont été stockées à l'extérieur ou dans une pièce froide 24 heures avant de les brûler afin de les amener à température ambiante.

Il existe différentes manières de chauffer le poêle, mais soyez toujours attentif à ce que vous y mettez. Voir le chapitre intitulé « La qualité du bois ».

La qualité du bois

Par bois de qualité, nous entendons les essences les plus courantes telles que bouleau, épicéa et pin ou hêtre, chêne, érable. Suivant les pays.

Les bûches doivent sécher afin que leur teneur en eau ne dépasse pas 20 %.

Pour cela, il convient de couper le bois à la fin de l'hiver. Fendez-les et empilez-les pour permettre à l'air de bien circuler. Recouvrez les piles afin de protéger les bûches de la pluie. Entrez les bûches dans la maison au début de l'automne en vue de leur utilisation pendant l'hiver qui suit.

Soyez particulièrement attentif à ne jamais brûler les matériaux suivants dans le poêle :

- Les déchets ménagers, les sacs en plastique, etc.
- Le bois peint ou imprégné (très toxique).
- Le bois contreplaqué
- Le bois qui est resté dans l'eau
- Les chutes de menuiserie dont le bois est trop sec.
- Le bois de récupération de chantier

Ceux-ci risquent d'endommager l'appareil et ce sont aussi des polluants.

Remarque : N'employez jamais de l'essence, de la paraffine, de l'alcool (méthylque) ou tout liquide similaire pour allumer le feu. Vous risqueriez de vous blesser sérieusement et d'endommager l'appareil.

Consommation de bois

Utilisation de bois avec puissance thermique nominale: Env. 1,6 kg/h. L'efficacité de la combustion du bois dépend par ailleurs d'une longueur correcte des bûches utilisées. La dimension des bûches devrait être de :

Utilisation quotidienne

Pour le bois d'allumage :

Longueur : 23 - 33 cm

Diamètre : 2 - 5 cm

Quantité par flambée : 6 – 8 bûches

Pour le bois de chauffage (fendu) :

Longueur : 23 - 33 cm

Diamètre : Env. 8 cm

Fréquence de remplissage : Environ toutes les 45 minutes

Taille du foyer : 1,2 kg

Quantité par remplissage : 2 bûches

La puissance nominale et le rendement sont basés sur l'utilisation de 1,15 kg de hêtre (2 bûches). L'arrivée d'air a été sortie de 24 mm.

La puissance thermique nominale est atteinte avec une ouverture du clapet de tirage de 60 %.

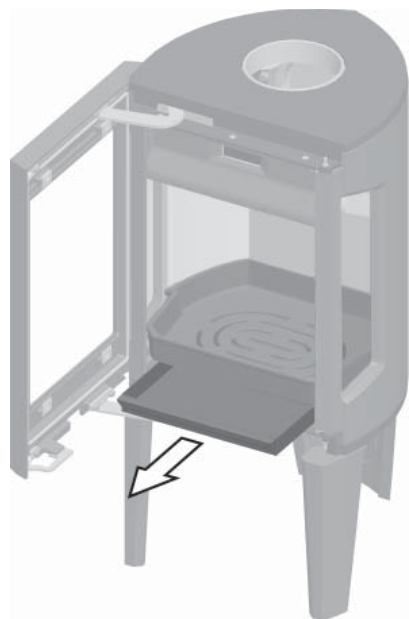
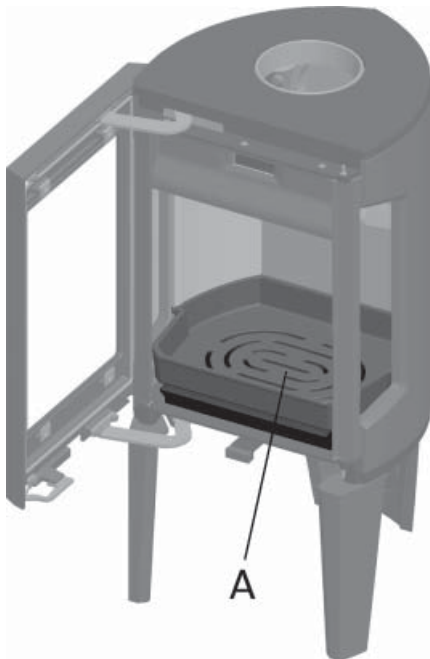
Utilisation maximum

Chargement maximum : 2,9 kg/h (maximum 3 bûches / 2,2 kg par chargement).

5.2 Décendrage

Les modèles Jøtul F 162 / F 163 sont équipés d'un cendrier qui facilite l'élimination des cendres.

Fig. 8



1. Raclez les cendres au-dessus de la grille (fig. 8 A) de la sole foyère pour qu'elles tombent dans le cendrier. Utilisez un gant pour saisir la poignée du cendrier.
2. Assurez-vous que le remplissage du cendrier ne va pas jusqu'à empêcher la descente des cendres à travers la grille.

Conseil pratique : Afin de protéger la sole foyère du poêle des braises extrêmement chaudes, laissez quelques centimètres de cendres au fond en permanence et videz les excès de cendres avec une pelle métallique par la porte.

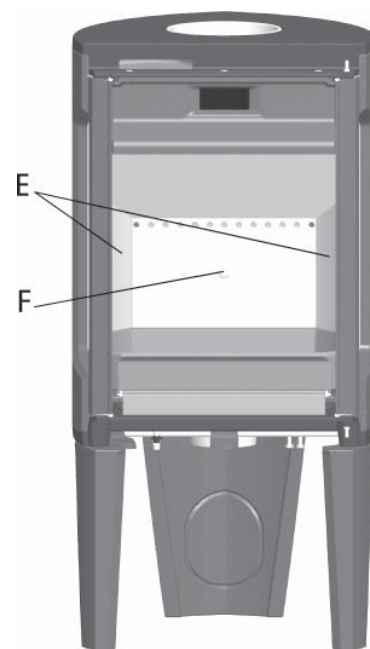
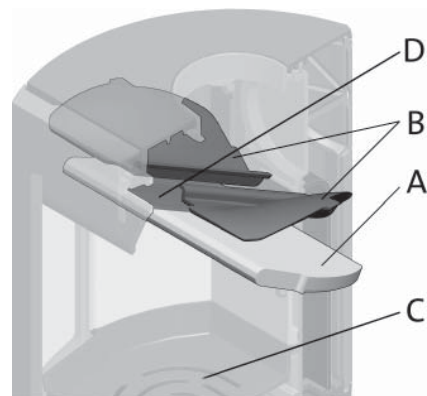
6.0 Entretien

Avvertissement : Toute modification du produit sans autorisation est interdite. N'utilisez que des pièces de rechange d'origine.

6.1 Changement des plaques de doublage/sole foyère

AVERTISSEMENT ! Les plaques de doublage et le déflecteur inférieur sont en vermiculite. C'est un matériau très efficace mais fragile. Ne le choquez pas, ne le rayez pas, introduisez les bûches délicatement lorsqu'il n'y a plus de flammes et de longueur ne dépassant pas 33 cm.

Fig. 9



1. Soulevez délicatement la chicane (fig. 9 A).
2. Retirez l'une des plaques de doublage latérales (fig. 9 E) en les soulevant légèrement pour la dégager. (Si vous utilisez des outils, n'oubliez pas qu'une manipulation brutale peut endommager les plaques de vermiculite).
3. Retirez le déflecteur.
4. Retirez l'autre plaque de doublage latérale.
5. Dévissez les vis M8x25 mm de la plaque de doublage arrière (fig. 9 F) et retirez-la.
6. Puis retirez la sole foyère en la soulevant (fig. 9 C). Pour l'installation, suivez la même procédure mais dans l'ordre inverse.

6.2 Changement du déflecteur

- Suivez les étapes 1 à 3 sous fig. 9.
 - Il est ainsi plus facile d'accéder aux déflecteurs de fumée (fig. 9 B) si ces derniers doivent être déposés. Ils reposent sur un appui sur la plaque de doublage latérale et un sur le distributeur d'air (fig. 9 D).
 - Abaissez les déflecteurs et retirez-les par la porte.
- Pour la réinstallation, suivez la même procédure dans l'ordre inverse.

7.0 Maintenance

7.1 Nettoyage de la vitre

Le produit est équipé d'un système d'entrée d'air par le haut. L'air est aspiré au-dessus du foyer et circule le long de la vitre.

L'accumulation de suie sur la vitre est toutefois inévitable, la quantité de dépôts dépendant du taux d'humidité du combustible, des conditions de tirage et du réglage de l'entrée d'air supérieure. Une grande partie de cette suie est normalement consommée lorsque l'entrée d'air est ouverte à son maximum et en présence d'un feu vif dans le poêle.

Un bon conseil ! Pour les opérations courantes de nettoyage, humidifier un essuie-tout ou du papier journal ou une simple éponge à l'eau chaude. Frotter la vitre avec ce moyen puis rincer à l'eau claire et essuyer. Pour les tâches persistantes, il est recommandé d'utiliser un nettoyant à vitres. Ne jamais projeter le produit directement sur la vitre : il risque de détériorer les fixations de la vitre et le joint, ce qui peut entraîner la cassure de la vitre.

7.2 Nettoyage et élimination de la suie

Pendant l'utilisation, de la suie peut se déposer sur les surfaces internes du poêle. La suie est un bon isolant. Elle réduit donc le rendement thermique du poêle. Utiliser une brosse métallique pour retirer tout dépôt de suie dans le produit sauf sur les plaques en vermiculite.

Laisser brûler vivement afin d'éviter tout dépôt de goudron et d'eau dans le poêle. Un nettoyage annuel de l'intérieur du poêle est requis pour optimiser le rendement du produit. Cette opération peut être réalisée lors du ramonage des conduits et de la cheminée.

7.3 Ramonage des conduits d'évacuation vers la cheminée

Le ramonage des conduits doit s'effectuer à partir de la trappe de ramonage ou depuis l'intérieur du produit., suivant les pays, interdit en France. Pour cela, un des déflecteurs doit être retiré.

7.4 Inspection du poêle

Jøtul recommande que l'utilisateur contrôle personnellement et soigneusement le poêle suite à une opération de ramonage/nettoyage. Vérifier l'absence de fissures sur toutes les surfaces visibles. Vérifier également l'état et la bonne installation de tous les joints. Tout joint montrant des signes d'usure, de déformation ou de dureté doit être remplacé. Un appareil ne doit jamais fonctionner avec un composant défaillant.

Nettoyer soigneusement les gorges de joint, appliquer de la colle céramique (disponible auprès des distributeurs Jøtul), puis insérer correctement le joint sans tirer dessus. La colle sèche rapidement.

7.5 Entretien de la surface externe

La couleur des produits peints peut se ternir après plusieurs années d'utilisation. Avant d'appliquer une nouvelle couche de peinture, brosser et laver la surface peinte pour en éliminer toutes les particules.

8.0 Dysfonctionnements – Causes et dépannages

Tirage faible

Vérifier que la longueur de la cheminée est conforme aux législations et aux réglementations nationales en vigueur. (Voir aussi «**2.0 Données techniques**» et «**4.0 Installation**» (**Cheminées et conduits**) dans le manuel d'installation à ce sujet.)

Vérifier que la section minimale de la cheminée est conforme aux spécifications de la section «**2.0 Données techniques**» du manuel d'installation.

Vérifier que rien n'empêche l'évacuation des fumées : branches, arbres, etc.

Pour remédier à tout tirage semblant faible ou excessif, demander à un professionnel de vérifier et éventuellement de redimensionner la cheminée.

Le feu s'éteuffe rapidement

- Vérifier que le bois de chauffage est suffisamment sec.
- Vérifier l'absence d'aspiration dans la pièce. Arrêter toute ventilation mécanique et ouvrir une fenêtre à proximité du foyer.
- Vérifier que l'entrée d'air est ouverte.
- Vérifier que le conduit n'est pas obstrué.

Important dépôt de suie sur la vitre

L'accumulation de suie sur la vitre est inévitable, mais la quantité de dépôt varie en fonction :

- Du taux d'humidité du combustible.
- Des conditions locales de tirage.
- Du réglage de l'entrée d'air.

Une grande partie de cette suie est normalement consommée lorsque l'entrée d'air est ouverte à son maximum et en présence d'un feu vif dans le poêle pendant une dizaine de minutes.

9.0 Équipements en option

9.1 Cache-pied : raccordement prise d'air extérieur

Réf. 51012329

9.2 Dessus en pierre ollaire : 50 mm, complet

Réf. 51012327

10.0 Recyclage

10.1 Recyclage de l'emballage

- Votre poêle est livré avec les emballages suivants :
- Une palette en bois qui peut être sciée et brûlée dans le poêle.
- Des emballages en carton qui doivent être déposés dans une station de recyclage près de chez vous.
- Des sacs en plastique qui doivent être déposés dans une station de recyclage près de chez vous, ou dans poubelle.

10.2 Recyclage du poêle

Le poêle est composé de :

- d'éléments métalliques qui doivent être déposés dans une station de recyclage près de chez vous.
- de verre qui doit être éliminé comme des déchets dangereux. Le verre dans le poêle ne doit pas être placé dans un conteneur de séparation à la source standard.
- de panneaux en vermiculite qui peuvent être déposés dans des conteneurs de déchets classiques.

11.0 Conditions de garantie

Applicables à partir du 1^{er} Septembre 2016 à tout produit Jøtul acheté auprès du réseau de revendeurs agréés Jøtul.

Félicitations pour votre achat d'un appareil Jøtul !

Depuis 1853, Jøtul est un fabricant renommé de foyers, cheminées et inserts durables et d'excellente qualité. La grande qualité de nos produits nous permet d'offrir à nos clients une garantie longue durée, et ce, sans frais supplémentaires.

Notre garantie couvre :

En plus de la garantie légale en vigueur, Jøtul France offre une garantie commerciale étendue à :

- 25 ans à compter de l'achat de l'appareil sur toutes les pièces en fonte des appareils à bûches, si vous enregistrez votre appareil sur le site www.jotul.com/fr dans les 3 mois suivant votre achat. Nous vous conseillons d'imprimer et de conserver votre justificatif d'enregistrement de garantie avec votre preuve d'achat. A défaut d'enregistrement, la garantie commerciale sera de 5 ans à compter de l'achat de l'appareil sur ces mêmes pièces.
- 5 ans sur les pièces en acier des appareils à bûches.

La garantie s'applique uniquement si l'appareil a été installé par un revendeur agréé du réseau Jøtul, conformément à la réglementation en vigueur et aux instructions d'installation et d'utilisation décrites dans le manuel de l'appareil.

Les appareils réparés ou les appareils de remplacement, ne donnent en aucun cas droit à une prolongation de garantie. Ils sont donc garantis pour la durée restante de la garantie initiale.

Notre garantie commerciale ne couvre pas :

- Les pièces d'usure, telles que les composants de la chambre de combustion (déflecteurs, joints, plaques de doublage, etc.), car ces pièces s'usent avec le temps lors d'une utilisation normale,
- Les vitres, la peinture, l'émail, les pierres naturelles, les éléments en béton et tous les revêtements décoratifs,
- Les dommages liés à une mauvaise utilisation : combustible inapproprié ou de mauvaise qualité, surchauffe, défaut d'entretien, non respect des instructions d'utilisation décrites dans le manuel de l'appareil, etc,
- Les dommages liés au transport ou à une mauvaise installation de l'appareil,
- Les cas impliquant des modifications de l'appareil sans le consentement de Jøtul ou l'utilisation de pièces qui ne sont pas d'origine,
- Les frais annexes (frais de port, déplacement, main d'œuvre, etc...), ni les dommages indirects.

La demande de garantie doit être effectuée auprès de votre revendeur agréé du réseau Jøtul, dans les 14 jours suivant la survenance du défaut. Voir liste de nos revendeurs sur notre site internet. Elle doit être accompagnée de votre preuve d'achat de l'appareil (facture) et de votre justificatif d'enregistrement de garantie.

Si Jøtul se trouve dans l'incapacité d'assumer la prise en charge sous garantie de votre appareil, Jøtul remplacera gratuitement votre produit par un appareil de puissance similaire.

Cette garantie est exclusive de toute autre garantie et prévaut sur toute autre garantie accordée par toute autre société du groupe Jøtul.

Índice

Manual de instalación con información técnica

1.0	Relación con las autoridades	26
2.0	Datos técnicos	26
3.0	Seguridad.....	29
4.0	Instalación	30
5.0	Uso diario.....	33
6.0	Servicio	34
7.0	Mantenimiento.....	34
8.0	Problemas de funcionamiento: solución de problemas	35
9.0	Equipo opcional	35
10.0	Reciclaje.....	35
11.0	Términos de la Garantía	36

Registre su chimenea en jotul.com y disfrute de 25 años de garantía.

Todos nuestros productos presentan una etiqueta que indica el año y el número de serie. Anote este número en el lugar que se indica en las instrucciones de instalación.

Mencione siempre el número de serie al ponerse en contacto con Jøtul o con su distribuidor.

Serial no.

Product: Jøtul Room heater fired by solid fuel				
Standard				
Minimum distance to adjacent combustible materials:				
Emission of CO in combustion products:				
Flue gas temperature:				
Nominal heat output:				
Efficiency:				
Operation range:				
Fuel type:				
Operational type:				
The appliance can be used in a shared flue.				
Country	Classification	Certification standard	Approved by	
Norway	Klasse II			
Sweden	etc.	SP	SP Sveriges Provnings- och Forskningsinstitut AB	
EUR	Intermittent	EN	SP-Swedish National Testing and Research Institute	
Follow user's instructions. Use only recommended fuels. Montage- und Bedienungsanleitung beachten. Verwenden Sie nur empfohlenen Brennstoffen. Respectez les consignes d'utilisation. Utilisez uniquement les combustibles recommandés.				
Serial no: Y-xxxx, Year: 200x				
Manufacturer: Jøtul AS POB 1441 N-1602 Fredrikstad Norway				221546

1.0 Relación con las autoridades

La instalación de una estufa debe realizarse de acuerdo con los códigos y normativas locales de cada país.

En la instalación de los productos deben cumplirse todas las disposiciones locales, incluidas aquellas referentes a las normas nacionales y europeas.

Antes de la instalación, lea atentamente el manual de Instrucciones para instalación. Antes de utilizar el producto, la instalación debe ser revisada por un técnico cualificado.

Una placa de identificación del material resistente al calor está fijada en el producto (**fig. 3 B**). La placa contiene información de identificación y documentación del producto.

2.0 Datos técnicos

	Jøtul F 162	Jøtul F 163
Material:	Hierro fundido	Hierro fundido
Acabado:	Pintura	Pintura/esmalte
Combustible:	Madera	Madera
Longitud máx. de los troncos:	33 cm	33 cm
Salida de humos:	Superior/trasera	Superior/trasera
Tamaño del tubo de tiro:	Ø150 mm	Ø150 mm
Peso :	115 kg	115 kg
Equipo opcional:	cubierta para la pata trasera, cubierta superior	cubierta para la pata trasera, cubierta superior
	de saponita – completa	de saponita – completa

Dimensiones, distancias: Consulte la **fig. 1** Consulte la **fig. 1**

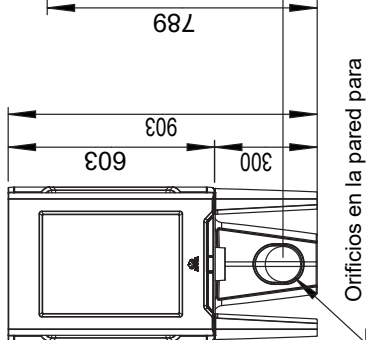
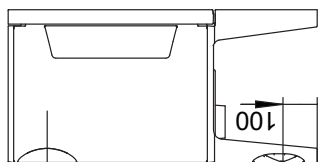
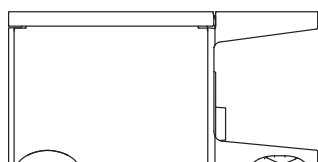
Datos técnicos según EN 13240 :

	Jøtul F 162	Jøtul F 163
Potencia calorífica nominal:	5 kW	5 kW
Flujo máxico del gas de tiro:	5,0 g/s	5,0 g/s
Tiro de chimenea recomendado:	12 Pa	12 Pa
Eficiencia:	83 % a 5,9 kW	82 % a 5,9 kW
Emisión de CO (13 % O ₂):	0,06 %	0,10 %
CO emission (13 % O ₂):	792 mg/Nm ³	1242 mg/Nm ³
Temperatura de gases:	260 °C	260 °C
Tipo de funcionamiento:	Intermitente	Intermitente

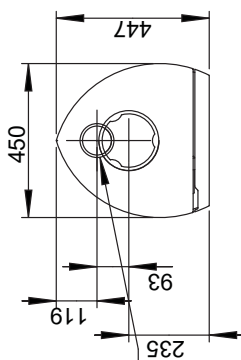
Aquí, la combustión intermitente supone un uso normal de la estufa. Se prende una nueva cámara de combustión en cuanto el combustible se ha consumido hasta la cantidad de brasas apropiada.

Jøtul F 162 / Jøtul F 163

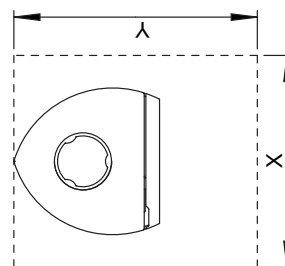
Fig. 1a



Orificios en la pared para
aire externo
Ø 100 mm conexión



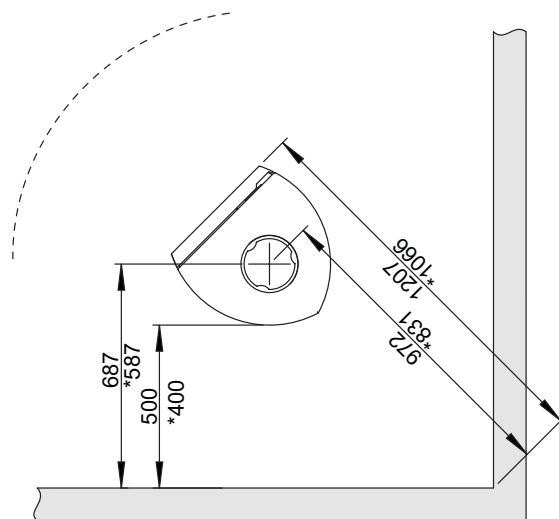
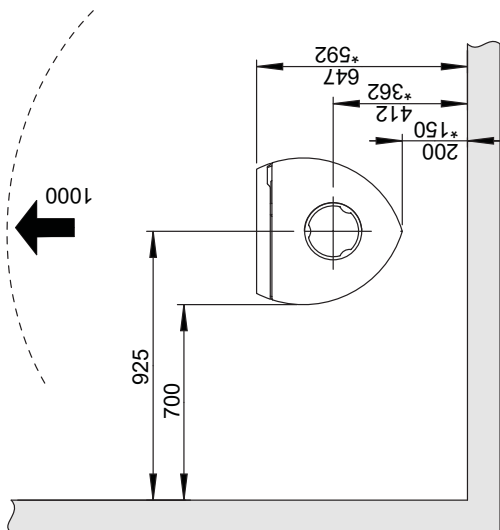
Orificios en el piso para
aire externo
Ø 100 mm conexión



Dimensiones mínimas de la placa
de piso X/Y = De conformidad con
las leyes y reglamentos nacionales.
Ver el capítulo 4.1

Pared de material
combustible

Distancia mínima a una pared inflamable



* Con chimenea semiaislada/tubo de tiro con escudo
térmico completamente bajado contra el producto.

Jøtul F 162 / Jøtul F 163

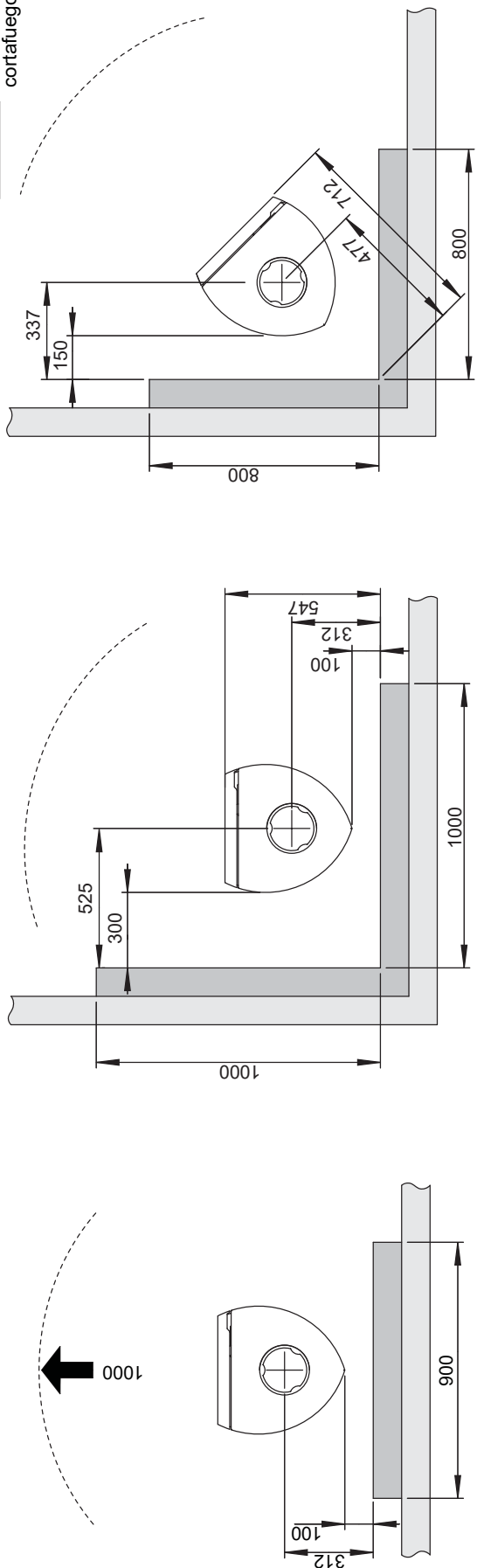
Fig. 1b

Distancia mínima a una pared de material combustible protegida con cortafuegos

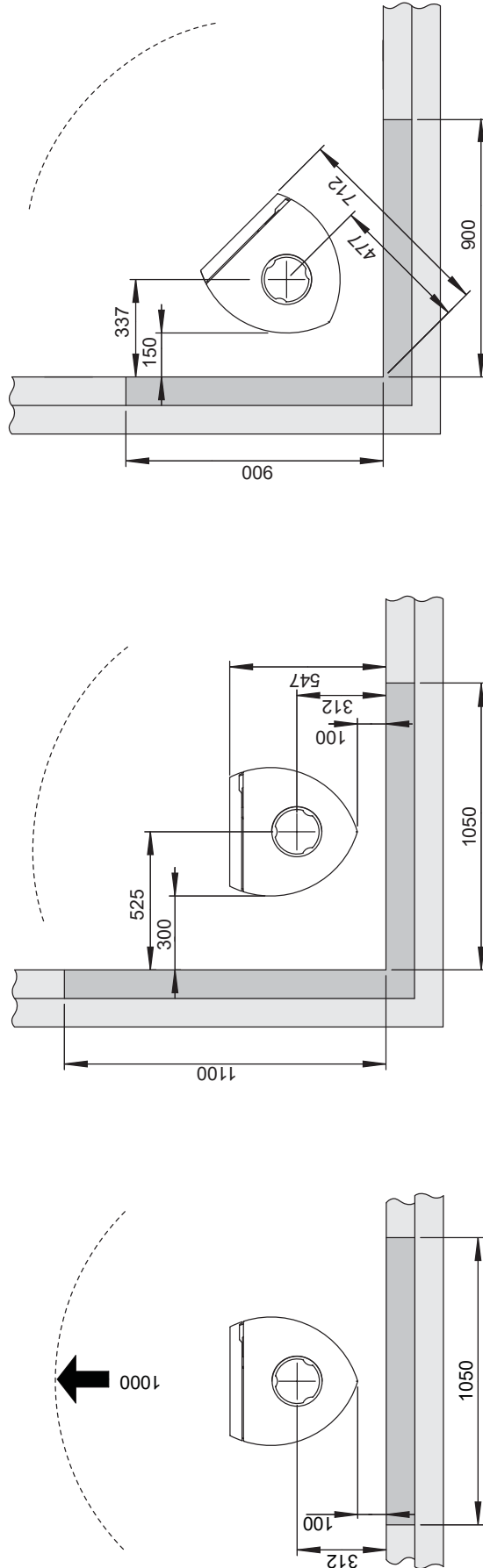
Pared de material combustible

Muro cortafuegos

Externo



Integrado



900061-P09

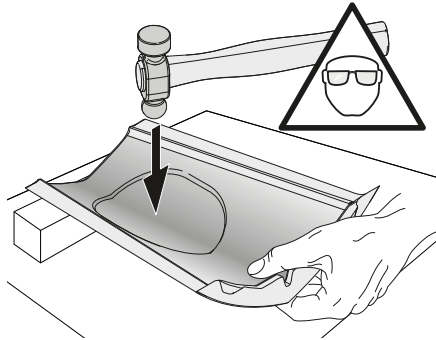
Suministro de aire

La conexión de aire exterior debe conectarse directamente a la Jøtul F 162 / Jøtul F 163 a través de:

- a través de un tubo flexible desde el exterior/chimenea (solo si la chimenea tiene su propio conducto para aire externo) y al conector de aire externo del producto.

Fig. 2a, a través de una pared exterior

¡Importante! El troquel para la conexión de aire exterior se debe romper desde el interior. Utilice gafas de seguridad.



Truco: ganará en comodidad y seguridad desmontando la pata trasera antes de abrir el agujero.

1. Apoye el producto con cuidado lateralmente. Puede poner el embalaje de cartón en el suelo para protegerlo de arañazos.
2. Desmonte la pata trasera.
3. Utilice un mazo pesado y golpee con fuerza en medio del troquel para abrir el agujero.

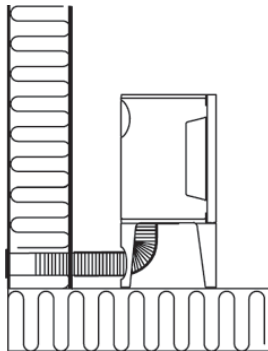


Fig. 2b, a través de la placa de piso y el suelo

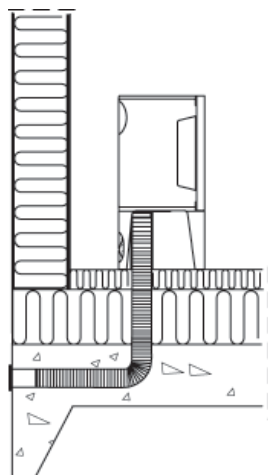


Fig. 2c, a través del suelo y el zócalo

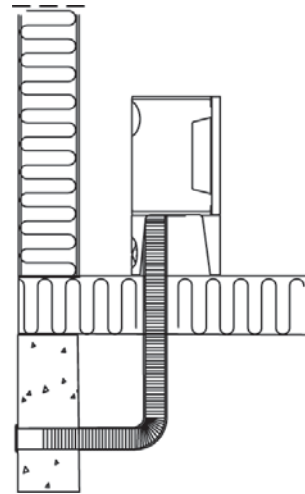
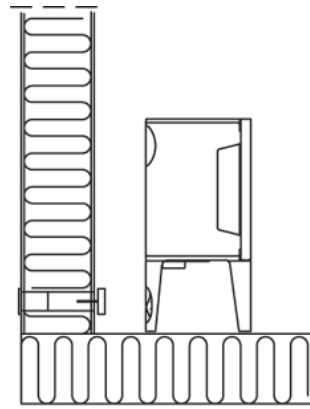


Fig. 2d, indirectamente a través de una pared exterior



3.0 Seguridad

N. B.: para garantizar un rendimiento y seguridad óptimos, las estufas Jøtul deben ser instaladas por un instalador cualificado.

Cualquier modificación del producto por parte del distribuidor, instalador o usuario puede motivar que el producto y sus prestaciones de seguridad no funcionen del modo previsto. Esto también se aplica a la instalación de accesorios o extras opcionales suministrados por terceros. Lo mismo puede suceder si se desmontan o retiran componentes esenciales para el funcionamiento y la seguridad de la estufa.

En cualquier caso, el fabricante no se hará responsable del producto y el derecho a realizar una reclamación quedará anulado y sin validez.

3.1 Medidas de prevención de incendios

Existe un cierto elemento de riesgo cada vez que se usa la estufa. Por lo tanto, deben respetarse las siguientes instrucciones:

- Las distancias mínimas de seguridad al utilizar la estufa se muestran en la **fig. 1**.

- Asegúrese de que no haya muebles ni otros elementos inflamables demasiado cerca de la estufa. Los elementos inflamables no deberían estar a menos de 1000 mm de la estufa.
- Deje que el fuego se consuma por sí solo. Nunca apague las llamas con agua.
- La estufa se calienta cuando está encendida y puede causar quemaduras si se toca.
- Saque las cenizas solo con la estufa fría. Las cenizas pueden contener rescoldos calientes y, por lo tanto, deberán ponerse en un recipiente no inflamable.
- Las cenizas deberán sacarse al exterior o vaciarse en un lugar donde no supongan un riesgo de incendio.

Si se produce un incendio en la chimenea

- Cierre todas las trampillas y los respiraderos.
- Cierre la puerta de la estufa.
- Compruebe si hay humo en el sótano y en la buhardilla.
- Llame a los bomberos.
- Después de producirse un incendio, un experto deberá comprobar la estufa y la chimenea antes de utilizarse para asegurar que funciona correctamente.

4.0 Instalación

Nota: compruebe que la estufa no presente daños antes de comenzar su instalación.

¡El producto es pesado! Asegúrese de contar con ayuda para montar e instalar la estufa.

4.1 Suelo

Base

Compruebe que el suelo sea lo bastante sólido para la estufa. Compruebe el peso en «2.0 Información técnica». Se recomienda retirar durante la instalación el piso que no esté fijado a la base (el llamado piso flotante).

Protección de suelos de material inflamable

Si la estufa va a montarse sobre un suelo de material inflamable, cubra el suelo debajo y delante de la estufa con una placa de metal u otro material no inflamable. El espesor mínimo recomendado es de 0,9 mm.

Si el suelo de debajo de la estufa está revestido de un material combustible, como linóleo, alfombras, etc, recomendamos retirarlo.

La plancha deberá cumplir las leyes y normativas nacionales.

Consulte a la autoridad local competente en materia de construcción sobre posibles restricciones y requisitos de instalación.

4.2 Paredes (fig. 1a)

Distancia hasta una pared de material inflamable

La estufa puede usarse con un tubo de tiro sin aislar siempre que las distancias hasta las paredes hechas de materiales inflamables sean como las mostradas en la fig. 1.

Distancia hasta la pared con tubo de tiro sin aislar: Ver fig. 1.

Distancia hasta paredes cubiertas por un cortafuegos (fig. 1b y fig. 1c)

Consulte a la autoridad local competente en materia de construcción sobre posibles restricciones y requisitos de instalación.

Requisitos del cortafuegos

El cortafuegos debe tener un grosor de al menos 100 mm y estar hecho de ladrillo, bloques de hormigón u hormigón ligero. También podrán emplearse otros materiales y construcciones con documentación satisfactoria.

Distancia hasta paredes de material no inflamable

Por pared de material no inflamable nos referimos a un muro sin carga de hormigón/ladrillos.

Consulte a la autoridad local competente en materia de construcción sobre posibles restricciones y requisitos de instalación.

4.3 Chimeneas y tubos de tiro

- La estufa puede conectarse a una chimenea y tubo de tiro homologados para estufas de combustible sólido con temperaturas de tiro conforme a lo especificado en «**2.0 Información técnica**».
- La sección de la chimenea debe ser al menos igual de grande que la sección del tubo de tiro. Consulte «**2.0 Información técnica**» para calcular la sección correcta de chimenea.
- Si la sección de la chimenea es suficiente, se pueden conectar varios dispositivos de combustible sólido a la misma chimenea.
- La conexión a la chimenea debe realizarse de acuerdo con las instrucciones de instalación del proveedor de la chimenea.
- Antes de practicar un orificio en la chimenea, debe instalarse provisionalmente la estufa para marcar correctamente la posición de la estufa y del orificio de la chimenea. Véase la fig. 1 para determinar las dimensiones mínimas.
- Compruebe que el tubo de tiro esté inclinado a lo largo de la chimenea.
- Use un codo del tubo de tiro con una trampilla que permita su deshollinado.

Tenga en cuenta el hecho de que es especialmente importante que las conexiones tengan una cierta flexibilidad para evitar que el movimiento en la instalación produzca grietas.

Nota: es muy importante para el funcionamiento del producto disponer de una conexión correcta y sellada.

Corriente de chimenea: consulte «2.0 Información técnica». Si la corriente es demasiado fuerte, instale y opere un regulador del tiro al objeto de controlar la corriente.

4.4 Montaje antes de la instalación

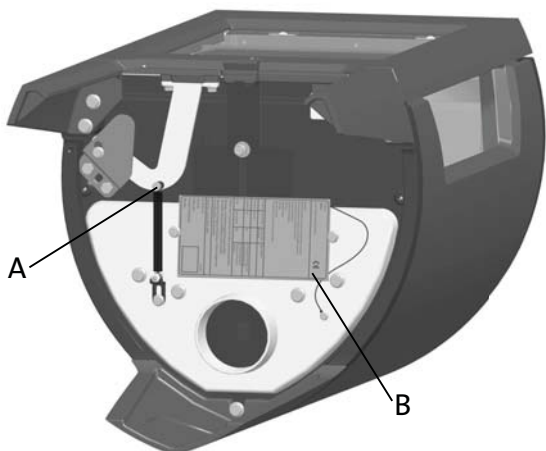
El producto se entrega en un solo bulto.

Después de desembalar la estufa, compruebe que no presente ningún daño y que funcionen los mandos reguladores.

4.5 Desmontar el mecanismo de cierre automático de la puerta

El producto incluye un mecanismo de cierre automático de la puerta preinstalado, que puede desmontar si lo desea.

Fig. 3



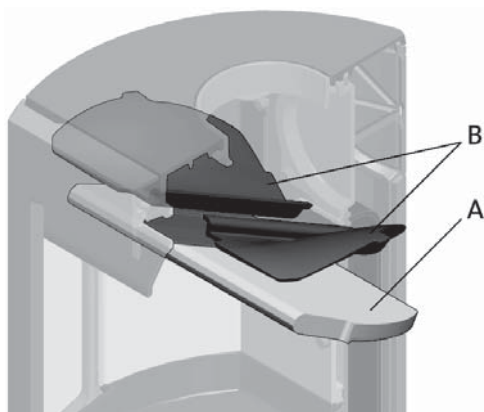
1. Quite el tornillo y la tuerca (Fig. 3 A).
2. Suelte y retire el muelle.

4.6 Ajuste de la tubería de humos para salida posterior

El producto se suministra de fábrica con la salida de humos en configuración de salida superior.

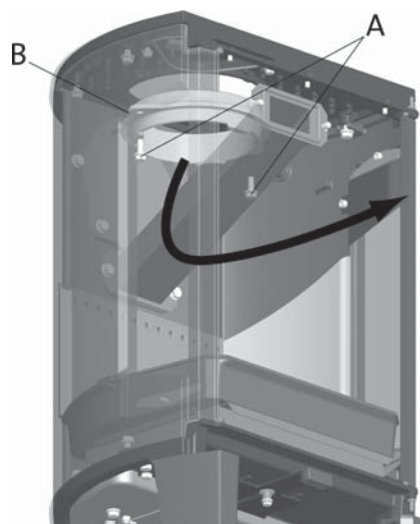
Nota: Siga las instrucciones siguientes para instalaciones con salida posterior.

Fig. 4



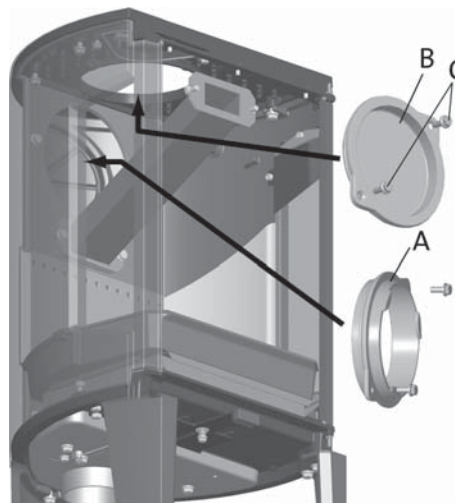
1. Levante con cuidado la placa deflectora (fig. 4 A).
2. Quite una de las placas de combustión laterales levantándola un poco y sacándola. (Tenga en cuenta que si utiliza herramientas, las placas de vermiculita pueden sufrir daños por una manipulación descuidada).
3. Retire la placa deflectora.
4. Quite la otra placa de combustión lateral.
5. Retire los deflectores de escape (fig. 4 B).

Fig. 5



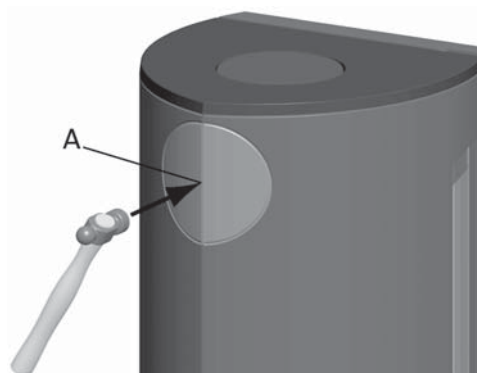
6. Desatornille los tornillos (fig. 5 A) y retire la salida de humos (fig. 5 B) de su posición superior en la cámara de combustión.

Fig. 6a



7. Desatornille los tornillos (fig. 6a C) y retire la tapa (fig. 6a B) de la salida posterior en la cámara de combustión.

Fig. 6b



8. Rompa las tapas marcadas (fig. 6b A).
9. Coloque la salida de humos (fig. 6a A) desde el interior de la cámara de combustión en el lugar donde estaba la tapa.
10. Instale la tapa (fig. 6a B) en el lugar donde estaba la salida de humos
11. Y por último vuelva a colocar los deflectores de humos (fig. 4 B) y la placa deflectora (fig. 4 A).

4.7 Control de las funciones

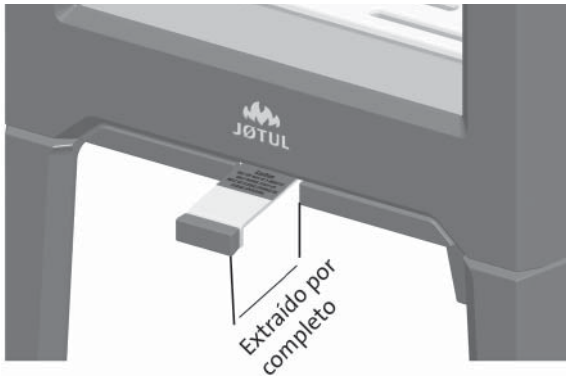
Una vez instalado el producto, compruebe siempre las funciones de control. Deberán moverse fácilmente y funcionar correctamente.

Jøtul F 162 y F 163 están equipadas con los siguientes controles:

Respiradero de aire/encendido

Encendido

Fig. 7a



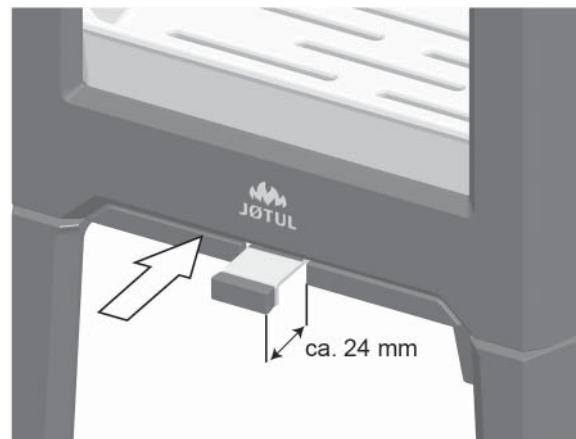
- Abra el respiradero de aire y el respiradero de encendido tirando de los manillares hasta el tope. (Use un guante o algo similar para protegerse la mano en caso de que los manillares estén calientes).



- Coloque dos troncos en la parte inferior de la cámara de combustión y apile las astillas para encender en capas.
- Por último, ponga un tronco de tamaño medio en la parte superior de la pila.
- Ponga 2 ó 3 briquetas o astillas para encender debajo de la capa superior de astillas y encienda el fuego.

Calefacción

Fig. 7b



- Deslice el respiradero de aire/encendido (fig. 7 B) hasta extenderlo unos 24 mm cuando la leña haya encendido correctamente y arda bien.
- Cierre la puerta.
- Entonces podrá regular el régimen de combustión para obtener el calor que desee ajustando el respiradero.
- Compruebe que se inicia la postcombustión (combustión secundaria). Se indica mediante llamas amarillas que bailan delante de los agujeros debajo de la placa deflectora.
- Si el caudal de aire es normal, podrá cerrar la puerta y el fuego se mantendrá por sí mismo.

Añadir madera

Avive la estufa con frecuencia pero añada solo una pequeña cantidad de leña en cada ocasión. Si la estufa está demasiado llena, el calor generado podría causar una elevada tensión en la chimenea. Añada combustible al fuego con moderación. Evite el fuego sin llama, pues es el que produce más contaminación. El fuego irá mejor cuando arda bien y el fuego que salga por la chimenea sea casi invisible.

4.7 Peligro de sobrecalentamiento

La estufa no debe usarse nunca de manera que se sobrecaliente

Se produce sobrecalentamiento cuando hay demasiado combustible y/o demasiado aire y se produce demasiado calor. Un signo seguro de sobrecalentamiento es cuando partes de la estufa se ponen al rojo. Si sucede esto, reduzca de inmediato la abertura del respiradero.

Solicite la ayuda de un profesional si sospecha que la corriente de la chimenea no es correcta (demasiada corriente o demasiado poca).

5.0 Uso diario

Olores al usar la estufa por primera vez

Cuando se usa la estufa por primera vez, puede emitir un gas irritante que huele ligeramente. Esto ocurre debido a que se seca la pintura. El gas no es tóxico, pero la habitación deberá ventilarse completamente. Deje que el fuego arda con mucha corriente hasta que haya desaparecido todo rastro del gas y no sea posible detectar humo ni olores.

Consejos de calentamiento

Nota: Los troncos que se hayan almacenado en el exterior o en una habitación fría deberán meterse al interior 24 horas antes de usarlos para que alcancen la temperatura ambiente.

Hay varias formas de calentar la estufa, pero siempre es importante tener cuidado con lo que introduce en ella. Consulte la sección sobre "Calidad de la madera".

Calidad de la madera

Por madera de calidad nos referimos a los tipos más conocidos de madera, como abedul, picea y pino.

Los troncos deben secarse de forma que su contenido en humedad no supere el 20 %.

Para esto, los troncos deben cortarse a finales del invierno. Deben partirse y apilarse de forma que se garantice una buena ventilación. Las pilas de madera deben estar cubiertas para proteger los troncos de la lluvia. Los troncos deben ponerse a cubierto a principios del otoño y apilarse para utilizarlos en el próximo invierno.

Tenga cuidado especialmente de no usar nunca los siguientes materiales como combustible en su estufa:

- Basura doméstica, bolsas de plástico, etc.
- Madera pintada o impregnada (*que es extremadamente tóxica*).
- Planchas de madera laminada.
- Restos de madera

Pueden dañar el producto y también son contaminantes.

Nota: Nunca use gasolina, parafina, alcohol desnaturalizado o líquidos similares para encender el fuego. Puede sufrir lesiones graves y ocasionar serios daños al producto.

Consumo de madera

Uso de madera con emisión calorífica nominal: aprox. **1,6 kg/h**. Otro factor importante para un consumo de combustible apropiado es que los troncos sean del tamaño correcto. El tamaño de los troncos deberá ser:

Inflamación:

Longitud: 23 - 33 cm

Diámetro: 2 - 5 cm

Número por fuego: 6 - 8 piezas

Utilización habitual

Leña (troncos partidos):

Longitud: 23 - 33 cm

Diámetro: 8 cm aprox.

Intervalo de adición de leña: *aproximadamente cada 45 minutos*

Tamaño del fuego: 1,2 kg

Cantidad por carga: 2 piezas

La potencia nominal y la eficiencia se basan en la capacidad de calefacción conseguida con 1,15 kg de madera de haya (2 troncos). El regulador de aire se extrajo 24 mm.

La emisión calorífica nominal se obtiene al abrir el respiradero cerca de un 60 %.

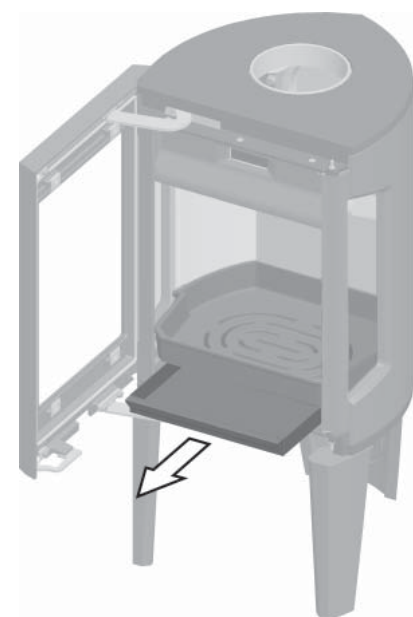
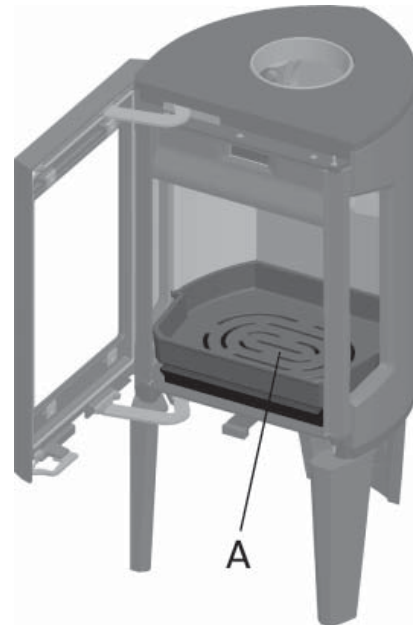
Utilización máxima carga

Máxima carga: 2,9 kg/h (máximo 3 leños / 2,2 Kg por carga).

5.2 Retirada de cenizas

Jøtul F 162 / F 163 tienen una bandeja de cenizas que permite retirar las cenizas con facilidad.

Fig. 8



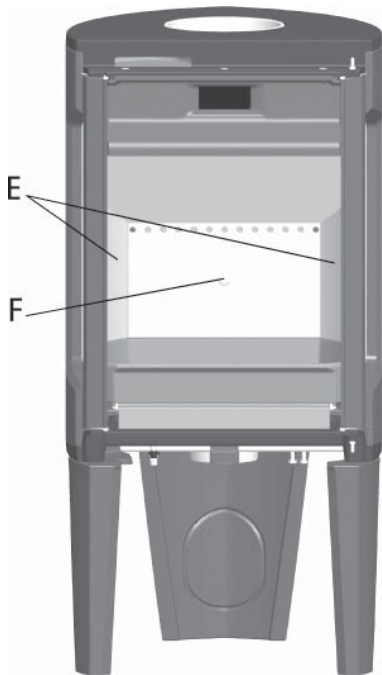
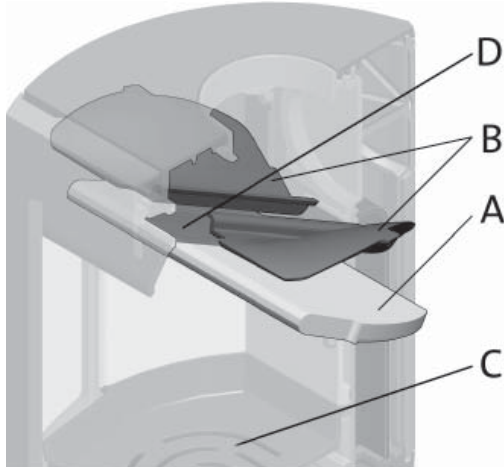
1. Empuje las cenizas a través de la rejilla (fig. 8 A) de la placa inferior y en la bandeja de cenizas. Use un guante para sujetar el asa de la bandeja de cenizas.
1. Compruebe que la bandeja de cenizas no se llene tanto que impida que la ceniza caiga en ella a través de la rejilla.

6.0 Servicio

¡Advertencia! Se prohíbe cualquier modificación no autorizada del producto.
Utilice piezas de repuesto originales únicamente.

6.1 Sustitución de las placas de combustión/placa inferior interna

Fig. 9



1. Levante con cuidado la placa deflectora (fig. 9 A).
2. Quite una de las placas de combustión laterales (fig. 9 E) levantándola un poco y sacándola. (Tenga en cuenta que si utiliza herramientas, las placas de vermiculita pueden sufrir daños por una manipulación descuidada).
3. Retire la placa deflectora.
4. Quite la otra placa de combustión lateral.
5. Desatornille el tornillo M8x25 mm en la placa de combustión trasera (fig. 9 F) y retire la placa de combustión.
6. Después, levante y retire la placa inferior interna (fig. 9 C). Siga el mismo procedimiento para la instalación, pero a la inversa.

6.2 Sustitución de la placa deflectora

- Realice los pasos 1-3 indicados bajo la fig. 9.
 - Así podrá acceder fácilmente a los deflectores (fig. 9 B) si es necesario quitarlos. Van apoyados en un saliente del lateral y en el colector de aire (fig. 9 D).
 - Inclínelos hacia abajo y sáquelos por la puerta.
- Para la reinstalación, siga el mismo procedimiento pero a la inversa.

7.0 Mantenimiento

7.1 Limpieza del cristal

El producto está equipado con un sistema de inyección de aire para el cristal. El aire se introduce a través del respiradero de la parte superior del producto y se desplaza hacia abajo a lo largo de la cara interior del cristal.

Aunque siempre se adhiere algo de hollín al cristal, la cantidad dependerá de las condiciones de tiro locales y del ajuste del respiradero de ventilación. La mayor parte de la capa de hollín se suele quemar cuando se abre completamente el respiradero de ventilación y arde un fuego vivo en la estufa.

Un buen consejo! Para la limpieza normal humedezca una toalla de papel en agua caliente y añádale cenizas de la cámara de combustión. Frote el cristal con la toalla de papel y, a continuación, enjuáguelo con agua limpia. Séquelo bien. Si es necesario limpiar el cristal más a fondo, recomendamos el empleo de un limpiacristales (*siga las instrucciones de uso del envase*).

7.2 Limpieza y retirada del hollín

Pueden acumularse depósitos de hollín en las superficies internas de la estufa durante el uso. El hollín es un buen aislante y, por lo tanto, reducirá la potencia calorífica de la estufa. Si se acumulan depósitos de hollín mientras usa el producto, puede eliminarlos fácilmente mediante un limpiador de hollín.

Para evitar que se forme una capa de agua y alquitrán en la estufa, debe dejar que el fuego arda con intensidad regularmente para eliminar la capa. Es necesario realizar una limpieza interna anual para obtener el mejor rendimiento térmico del producto. Es buena idea hacerlo al limpiar la chimenea y los tubos de tiro.

7.3 Deshollinar los tubos de tiro en la chimenea

Los tubos de tiro deben deshollinarse a través de la trampilla del tubo de tiro o a través de la abertura de la puerta. Será necesario desmontar primero una de las placas deflectoras para poder hacerlo.

7.4 Inspección de la estufa

Jøtul le recomienda que inspeccione detenidamente la estufa después de limpiarla/deshollinarla. Revise todas las superficies visibles en busca de grietas. Compruebe también que estén selladas todas las uniones y que todas las juntas estén en la posición correcta. Será necesario sustituir cualquier junta que presente signos de desgaste o deformación.

Limpie cuidadosamente las ranuras de la junta, aplique adhesivo cerámico (disponible en su distribuidor de Jøtul más cercano) y coloque la junta en su sitio apretando bien. La unión se secará con rapidez.

7.5 Mantenimiento exterior

Los productos pintados pueden cambiar de color tras varios años de uso. Deberá limpiarse y cepillarse la superficie para retirar cualquier partícula suelta antes de aplicar pintura nueva.

8.0 Problemas de funcionamiento: solución de problemas

Poco tiro

1. Compruebe la longitud de la chimenea y que cumple los requisitos y normativas nacionales. (Consulte también la información de la secciones «2.0 Información técnica» y «4.0 Instalación» (Chimenea y tubo de humos).
2. Compruebe que la sección transversal mínima de la chimenea corresponde a lo indicado en la sección «2.0 Información técnica».
3. Cerciórese que no hay ningún obstáculo que impida el escape de los gases: ramas, árboles, etc.
4. Si sospecha que el tiro de la chimenea es excesivo o escaso, solicite ayuda profesional para su medición y ajuste.

La llama se extingue transcurrido un tiempo

1. Asegúrese de que la leña está suficientemente seca.
2. Averigüe si existe presión negativa en la vivienda, apague los sistemas de ventilación mecánicos y abra una ventana cercana a la estufa.
3. Compruebe que el respiradero está abierto.
4. Compruebe que la toma de la salida de humos no está obstruida con hollín.

Se acumula una cantidad anormal de hollín en el cristal

Siempre se adherirá algo de hollín al cristal, pero la cantidad depende de:

- Humedad del combustible.
- Las condiciones de tiro locales.
- Apertura del respiradero de ventilación.

La mayor parte del hollín se suele quemar cuando se abre completamente el respiradero de ventilación y arde un fuego vivo en la estufa.(Consulte la sección «7.1 Limpieza del cristal».)

9.0 Equipo opcional

9.1 Cubierta para la pata: conexión de aire exterior

N.º cat. 51012329

9.2 Cubierta superior de saponita - 50 mm, completa

N.º cat. 51012327

10.0 Reciclaje

10.1 Reciclaje del embalaje

- Su estufa se entrega con el siguiente embalaje:
- Un palé de madera que puede cortarse y quemarse en la estufa.
- Embalaje de cartón que debe llevarse a un punto de reciclaje local.
- Bolsas de plástico que deben llevarse a un punto de reciclaje local.

10.2 Reciclaje de la estufa

La estufa se compone de:

- Metal que debe llevarse a un punto de reciclaje local.
- Cristal que debe desecharse como un residuo peligroso. El cristal de la estufa no debe depositarse en un contenedor de separación convencional.
- Placas de combustión de vermiculita que pueden desecharse en contenedores de desechos convencionales.

11.0 Términos de la Garantía

1. Nuestra garantía cubre:

Jøtul AS garantiza que las partes exteriores de hierro fundido están libres de defecto en materiales o fabricación en el momento de la compra. Usted puede extender esta garantía sobre las piezas exteriores de fundición hasta 25 años desde la fecha de entrega del producto registrándolo en jotul.com, e imprimiendo la tarjeta de ampliación de la garantía en un plazo de tres meses a contar desde la fecha de compra. Recomendamos conservar la tarjeta de garantía junto con el justificante de compra. Jøtul AS también garantiza que las piezas de acero están libres de defectos de material o fabricación en el momento de la compra y durante un período de 5 años a partir de la fecha de entrega.

La garantía solamente tendrá validez si la instalación de la estufa se encarga a un instalador cualificado y se realiza con arreglo a la normativa en vigor y siguiendo las instrucciones de instalación y funcionamiento de Jøtul. Los productos reparados y las piezas sustituidas estarán garantizados durante el tiempo que quede de la garantía original.

2. La garantía no cubre:

- 2.1. Los daños en las piezas de desgaste, como placas de combustión, rejillas, deflectores de humos, juntas y similares, puesto que se deterioran con el tiempo debido al uso normal.
- 2.2. Los daños derivados de un mantenimiento inadecuado, sobrecalentamiento o uso de combustibles inadecuados (ejemplos de combustible inadecuado son entre otros: restos de madera extraídos del mar, madera impregnada, recortes de tablas, aglomerado, etc.) o de leña demasiado húmeda
- 2.3. La instalación de accesorios opcionales que rectifiquen el tiro, el suministro de aire u otras circunstancias fuera del control de Jøtul.
- 2.4. Casos derivados de alteraciones o modificaciones de la estufa efectuadas sin el consentimiento de Jøtul, o el uso de piezas no originales.
- 2.5. Daños producidos en el almacén de un distribuidor, en el transporte posterior o durante la instalación
- 2.6. Productos vendidos por distribuidores no autorizados en zonas donde Jøtul opera según distribución selectiva
- 2.7. Costes asociados (por ejemplo, pero no solo, transporte, mano de obra, gastos de viaje) o daños indirectos

Las estufas de pellets, cristal, piedra, hormigón, acabados de pintura y esmalte (por ejemplo, pero no solo golpes, grietas, burbujas, decoloramiento, etc) están sujetos a la legislación nacional de consumo aplicable. Esta garantía es válida para compras realizadas dentro del territorio del Espacio Económico Europeo. Todas las reclamaciones de garantía se tramitarán a través de su distribuidor autorizado Jøtul local en un plazo razonable de tiempo que no excederá de 14 días respecto a la fecha en la que se detecte la falta o defecto por primera vez. Consulte la lista de importadores y distribuidores en nuestra página web www.jotul.com

Si Jøtul no pudiese cumplir con las obligaciones descritas en los términos de la garantía, se ofrecerá un producto alternativo de capacidad calorífica comparable

Jøtul se reserva el derecho a rechazar cualquier reposición de piezas si la garantía no se ha registrado online. Esta extensión de garantía únicamente añade coberturas, y no disminuye en medida alguna los derechos del consumidor y las garantías establecidas por la ley. Los derechos de garantía nacional empezarán a contar desde la fecha de compra y solamente podrán ejercerse previa presentación del justificante de compra/número de serie.

Inhoudsopgave

Installatiehandleiding met technische gegevens

1.0	Wettelijke voorschriften.....	37
2.0	Technische gegevens	37
3.0	Veiligheid	41
4.0	Installatie	41
5.0	Dagelijks gebruik	46
6.0	Groot onderhoud.....	46
7.0	Onderhoud.....	47
8.0	Gebruiksproblemen - problemen oplossen.....	47
9.0	Optionele accessoires	47
10.0	Recycling	47
11.0	Garantievoorwaarden	48

Registreer uw haard op jotul.com met het oog op de garantie van 25 jaar.

Product: Jøtul Room heater fired by solid fuel					
Standard	Minimum distance to adjacent combustible materials:	Emission of CO in combustion products:	Flue gas temperature:	Nominal heat output:	Efficiency:
Operation range:	Fuel type:	Operational type:	The appliance can be used in a shared flue.		
Country	Classification	Certificator standard	Approved by		
Norway	Klasse II				
Sweden	etc.	SP	SP Sveriges Provnings- och Forskningsinstitut AB		
EUR	Intermittent	EN	SP-Swedish National Testing and Research Institute		
Follow user's instructions. Use only recommended fuels. Montage- und Bedienungsanleitung beachten. Verwenden Sie nur empfohlenen Brennstoffen. Respectez les consignes d'utilisation. Utilisez uniquement les combustibles recommandés.					
Serial no: Y-xxxx, Year: 200x					
Manufacturer: Jøtul AS POB 1441 N-1602 Fredrikstad Norway		221546			

Al onze producten zijn voorzien van een label met een serienummer en een jaartal. Noteer dit nummer op de daarvoor bestemde plaats in de installatie-instructies.

Geef dit serienummer altijd door als u contact opneemt met uw leverancier of Jøtul.

Serial no.

1.0 Wettelijke voorschriften

Een haard moet in elk land volgens de lokale regels en voorschriften worden geïnstalleerd.

Bij het installeren van het product moeten alle lokale voorschriften, inclusief de bepalingen die betrekking hebben op nationale en Europese normen, worden nageleefd.

Lees de installatiehandleiding zorgvuldig door voordat u de kachel of haard installeert. Voordat het product wordt gebruikt, moet de installatie door een bevoegd persoon zijn geïnspecteerd.

Op het hitteschild bevindt zich een typeplaatje dat is gemaakt van hittebestendig materiaal. Op het typeplaatje staan typegegevens van het product en verwijzingen naar documentatie.

2.0 Technische gegevens

	Jøtul F 162	Jøtul F 163
Materiaal:	Gietijzer	Gietijzer
Afwerking:	Lak	Lak/emaille
Brandstof:	Hout	Hout
Max. lengte blokken:	33 cm	33 cm
Kacheluitlaat:	Boven/achter	Boven/achter
Afmeting kachelpijp:	Ø 150 mm,	Ø 150 mm,
Gewicht:	115 kg	115 kg
Optionele accessoires:	Afdekking voor achterpoot, spekstenen bovenkant compleet	Afdekking voor achterpoot, spekstenen bovenkant compleet
Afmetingen, afstanden:	Zie fig. 1	Zie fig. 1

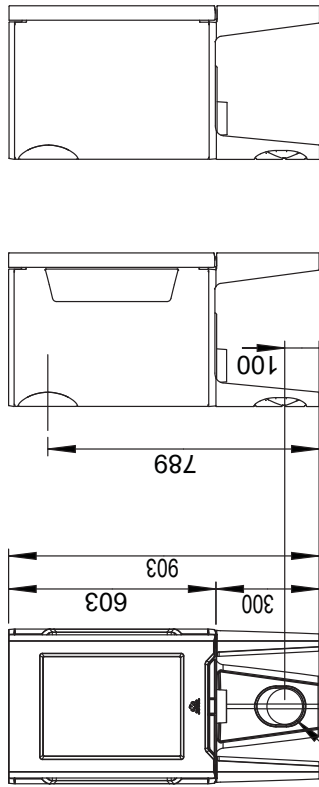
Technische gegevens conform EN 13240:

	Jøtul F 162	Jøtul F 163
Nominale warmteafgifte:	5 kW	5 kW
Massastroom rookgas:	5,0 g/s	5,0 g/s
Aanbevolen schoorsteentrek:	12 Pa	12 Pa
Efficiëntie:	83%@5,9 kW	82%@5,9 kW
CO-uitstoot (13% O ₂):	0,06 %	0,10 %
CO-uitstoot (13% O ₂):	792 mg/Nm ³	1242 mg/Nm ³
Rookgastemperatuur:	260° C	260° C
Werkingstype:	cyclisch	cyclisch

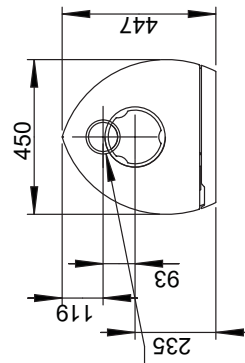
Onder cyclische verbranding wordt normaal gebruik van een haard verstaan. Dit houdt in dat een nieuwe verbrandingskamer wordt ontstoken zodra de brandstof is opgebrand tot de juiste hoeveelheid gloeiende as.

Jøtul F 162 / Jøtul F 163

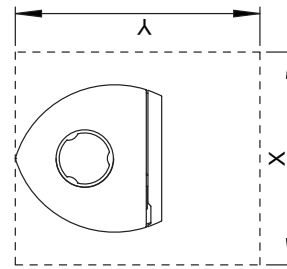
Afb. 1a



Gaten in de muur ten behoeve van externe lucht Ø 100 mm verbinding.

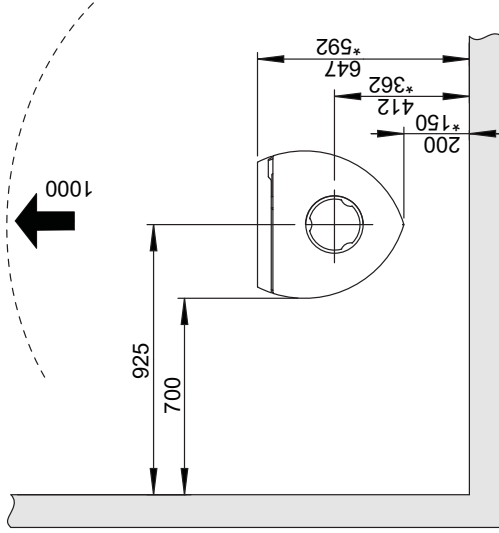


Gaten in de vloer ten behoeve van externe lucht Ø 100 mm verbinding.

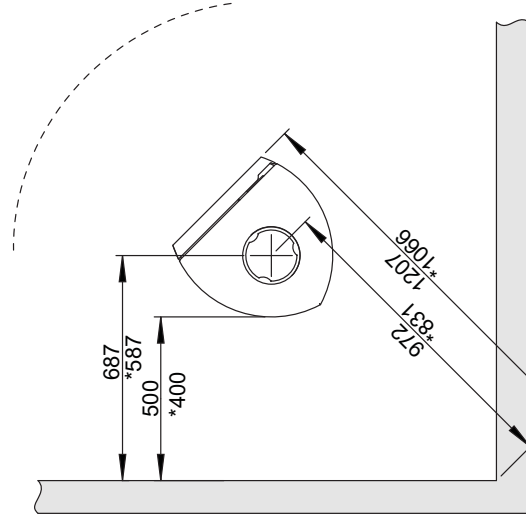


Minimale afmetingen voor de vloerplaat X/Y = In overeenstemming met nationale wet- en regelgeving. Zie hoofdstuk 4.1

Minimale ruimte t.o.v. brandbare muur



Brandbare muur



* Met halfgeïsoleerde schoorsteen/afgeschermde kachelpijp helemaal omlaag tot aan het product.

Jøtul F 162 / Jøtul F 163

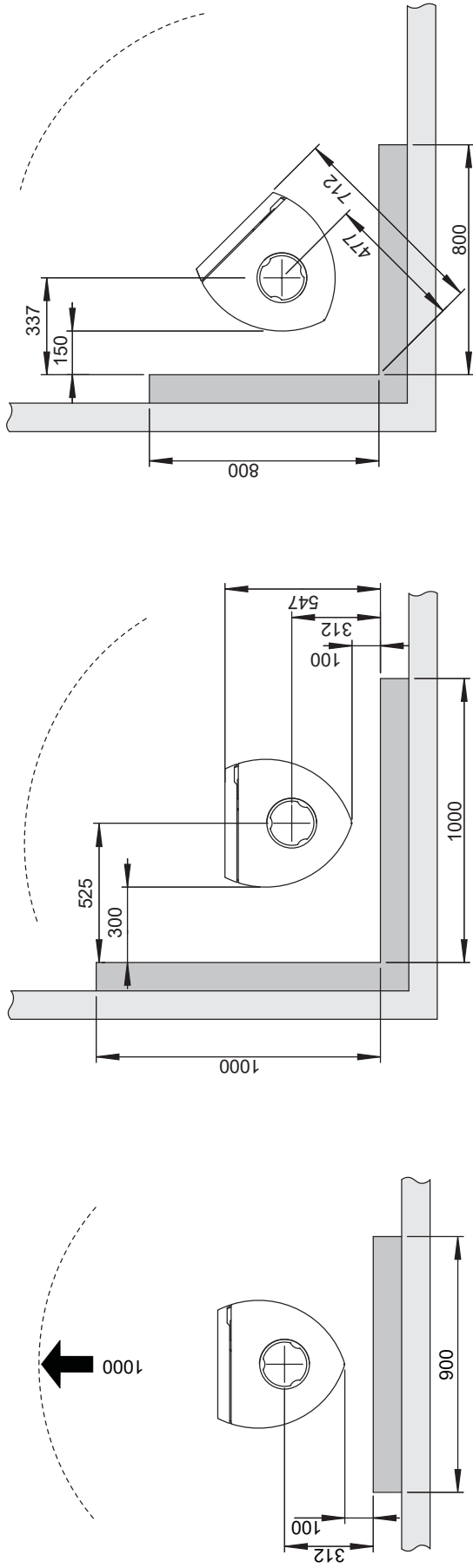
Afb. 1b

Minimale afstand tot brandbare muur beschermd door brandmuur:

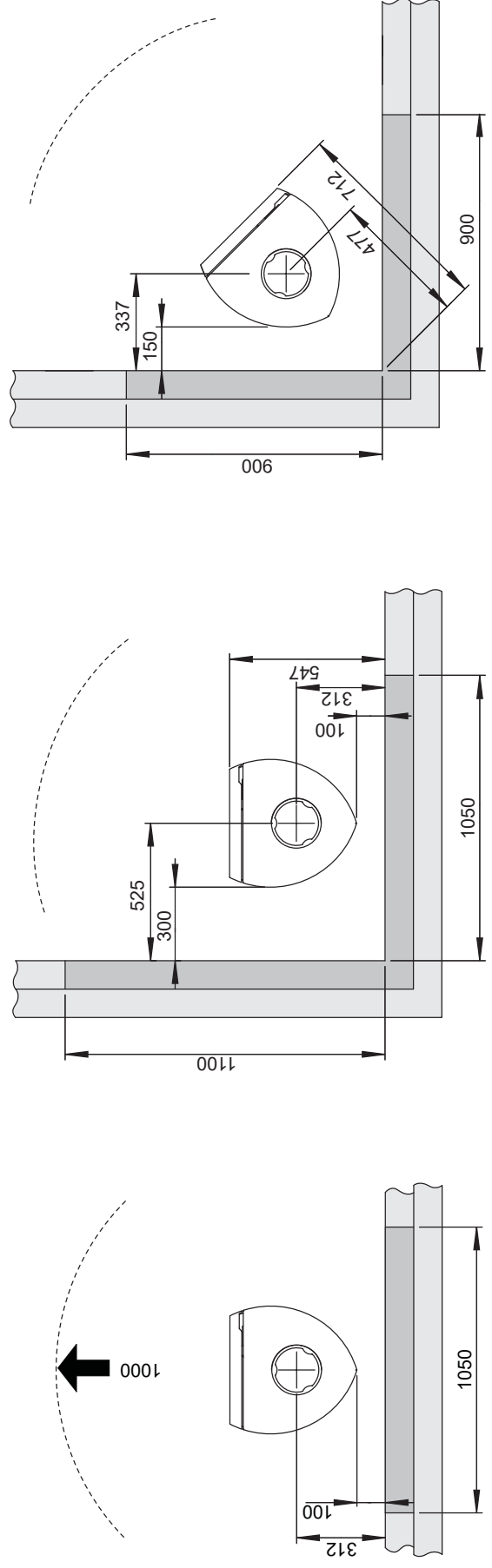
Brandbare muur

Brandmuur

Extern



Geïntegreerd



900061-P09

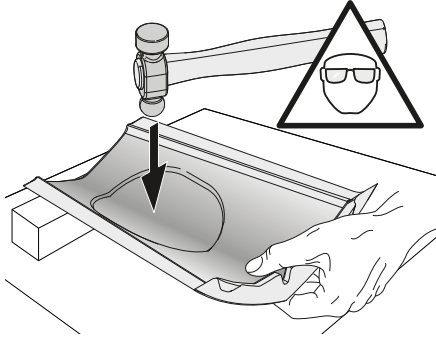
NEDERLANDS

Luchttoevoer

De externe luchtaansluiting kan direct op de Jøtul F 162 / Jøtul F 163 worden aangesloten door middel van:

- door een flexibele toevoerslang van buitenaf/schoorsteen (alleen als de schoorsteen een eigen kanaal heeft voor externe lucht) op de externe luchtaansluiting van het product.

BELANGRIJK! De knockout voor de buitenlucht verbinding moet worden verwijderd vanuit de binnenkant. Gebruik een veiligheidsbril.



TIP: Het is een groot voordeel als de achterste poot is gedemonteerd verwijderen van de knockout.

1. Leg de kachel voorzichtig naar beneden op zijn kant. U kunt de kartonnen verpakking op de vloer om het te beschermen tegen krassen, etc.
2. Verwijder de achterste poot.
3. Gebruik een zware bolhamer en sla hard op het midden van de knockout.

Fig. 2a, via een buitenmuur

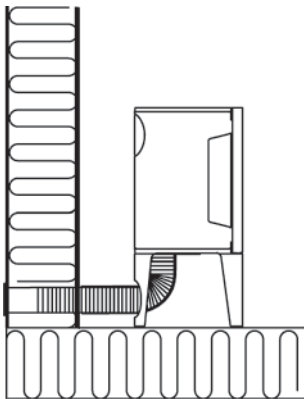


Fig. 2b, via de vloer en grondplaat

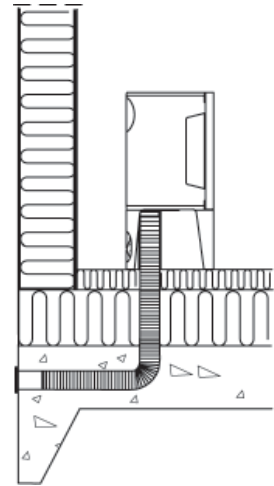


Fig. 2c, via de vloer en kelder

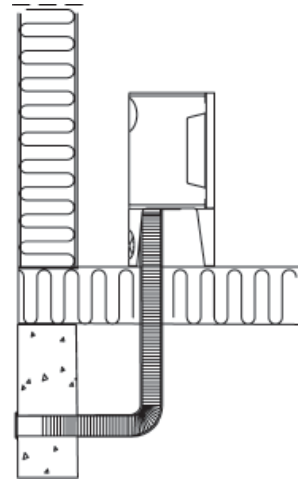
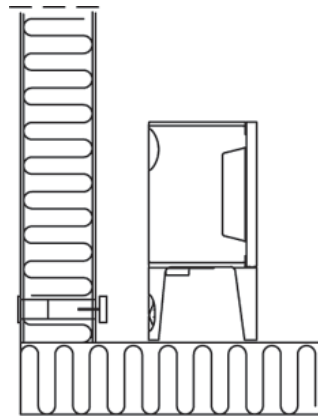


Fig. 2d, indirect via een buitenmuur



3.0 Veiligheid

NB! Om zeker te zijn van optimale prestaties en veiligheid, dienen de kachels van Jøtul altijd te worden geplaatst door een gekwalificeerde installateur.

Aanpassingen aan het product door de distributeur, installateur of consument kunnen ertoe leiden dat het product en de beveiligingen niet naar behoren functioneren. Hetzelfde geldt voor de installatie van niet door Jøtul geleverde accessoires of optionele extra's. Dit kan ook het geval zijn indien essentiële onderdelen voor het functioneren en de veiligheid van de haard gedemonteerd of verwijderd worden.

In al deze gevallen is de fabrikant niet verantwoordelijk of aansprakelijk voor het product en het recht op reclamatie komt hierdoor te vervallen.

3.1 Maatregelen op het gebied van brandpreventie

Elk gebruik van de haard brengt een zeker risico met zich mee. Neem daarom de volgende instructies nauwkeurig in acht:

- De minimale veiligheidsafstanden tijdens het gebruik van de haard zijn weergegeven in fig. 1.
- Zorg ervoor dat er geen meubels of andere brandbare materialen te dicht bij de haard staan. Brandbare materialen mogen nooit binnen 1 meter afstand van de haard geplaatst worden.
- Laat het vuur vanzelf uitgaan. Blus het vuur nooit met water.
- De haard wordt tijdens gebruik warm en kan bij aanraking brandwonden veroorzaken.
- Verwijder de as niet voordat de haard koud is. De as kan smeulende resten bevatten en moet daarom in een onbrandbare bak worden bewaard.
- De as moet naar buiten worden afgevoerd of worden weggegooid op een plek waar geen brandgevaar bestaat.

Bij brand in de schoorsteen

- Sluit alle luiken en ventilatieopeningen.
- Houd de deur van de vlamkast gesloten.
- Controleer of er rook is op zolder en in de kelder.
- Bel de brandweer.
- Voordat u de haard opnieuw in gebruik neemt na een brand, moet een deskundige de haard en de schoorsteen controleren om na te gaan of deze goed werkt.

4.0 Installatie

Let op: controleer voordat u met de installatie begint of de haard onbeschadigd is. Het product is zwaar! Zorg voor hulp bij het neerzetten en installeren van de haard.

4.1 Vloer

Fundament

Zorg ervoor dat de vloer sterk genoeg is voor de haard. Zie «2.0 Technische gegevens» voor gewichten. Aanbevolen wordt om een vloer die niet aan het fundament bevestigd is, een zogenaamde zwevende vloer, bij de installatie te verwijderen.

Brandbare vloerbescherming

Als de haard wordt geplaatst op een brandbare vloer, bedekt u de vloer onder en vóór de haard met een plaat van metaal of ander onbrandbaar materiaal. De aanbevolen minimale dikte is 0,9 mm.

Jøtul raadt aan dat alle vloeren van brandbaar materiaal, zoals linoleum, tapijt, enz. onder de vloerplaat verwijderd moet worden.

De plaat moet in overeenstemming zijn met nationale wetten en voorschriften.

Neem contact op met de afdeling Bouwtoezicht van uw gemeente voor informatie over beperkingen en installatie-eisen.

4.2 Muren (fig. 1a)

Afstand tot muur van brandbaar materiaal

De haard mag worden gebruikt met een niet-geïsoleerde kachelpijp op voorwaarde dat de afstanden tussen de haard en de muren van brandbare materialen overeenkomen met de gegevens uit fig. 1.

Afstand tot muur met geïsoleerde kachelpijp: Zie fig. 1

Afstand tot muren beschermd door een brandmuur (fig. 1b en fig. 1c)

Neem contact op met de afdeling Bouwtoezicht van uw gemeente voor informatie over beperkingen en installatie-eisen.

Eis brandmuur

De brandmuur moet minimaal 100 mm dik zijn en van baksteen, betonsteen of licht beton zijn gemaakt. Andere materialen en constructies met de juiste documentatie mogen ook worden gebruikt.

Afstand tot niet-brandbare muren

Onder niet-brandbaar wordt verstaan een niet-dragende muur van massief metselwerk/beton.

Neem contact op met de afdeling Bouwtoezicht van uw gemeente voor informatie over beperkingen en installatie-eisen.

NEDERLANDS

4.3 Schoorstenen en kachelpijpen

- De haard kan worden aangesloten op een schoorsteen en kachelpijp die zijn goedgekeurd voor met vaste brandstof gestookte apparaten met rookgastemperaturen zoals gespecificeerd in «**2.0 Technische gegevens**».
- De doorsnede van de schoorsteen moet minimaal even groot zijn als de doorsnede van de kachelpijp. Zie «**2.0 Technische gegevens**» voor het berekenen van de juiste doorsnede van de schoorsteen.
- Als de doorsnede van de schoorsteen groot genoeg is, kunnen er meerdere met vaste brandstof gestookte apparaten op dezelfde schoorsteen worden aangesloten.
- De aansluiting op de schoorsteen moet voldoen aan de installatie-instructies van de leverancier van de schoorsteen.
- Voordat u een opening in de schoorsteen maakt, moet de haard op proef worden gemonteerd om de juiste positie van de haard en het gat in de schoorsteen te kunnen bepalen. Zie fig. 1 voor minimale afmetingen.
- Zorg dat de kachelpijp helemaal tot aan de schoorsteen omhoog loopt.
- Gebruik een kachelpijpbocht met een veegluik, zodat de pijp kan worden geveegd.

Houd er rekening mee dat het erg belangrijk is dat aansluitingen enigszins flexibel zijn om te voorkomen dat bewegingen in de installatie barsten veroorzaken.

Let op: een juiste en luchtdichte aansluiting is van groot belang voor het goed functioneren van het product.

Schoorsteentrek; Zie «2.0 Technische gegevens». Als de trek te sterk is, kunt u een demper installeren en gebruiken om de trek te regelen.

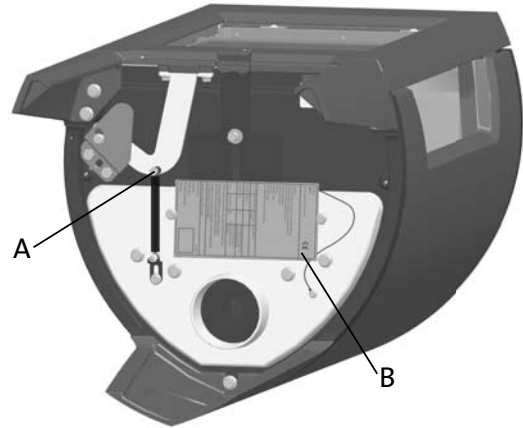
4.4 Vóór installatie

Het product wordt geleverd in één verpakking. Controleer na het uitpakken van de kachel of deze niet beschadigd is en of de bedieningshendels functioneren.

4.5 Verwijdering van zelfsluitend mechanisme op deur

Bij levering is het zelfsluitende deurmechanisme vooraf geïnstalleerd. Dit kan indien gewenst worden verwijderd.

Fig. 3



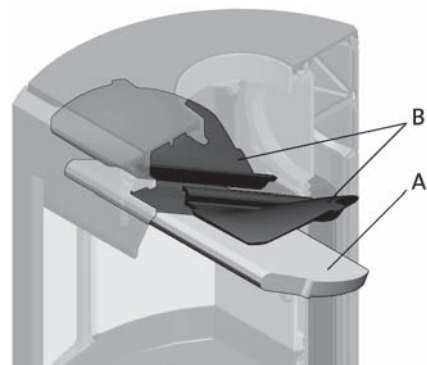
1. Verwijder de bout en de moer (**fig. 3 A**).
2. Haak de veer los en verwijder deze.

4.6 Aansluiten met een achteraansluiting

Het product is standaard geleverd vanaf de fabriek met een boven aansluiting

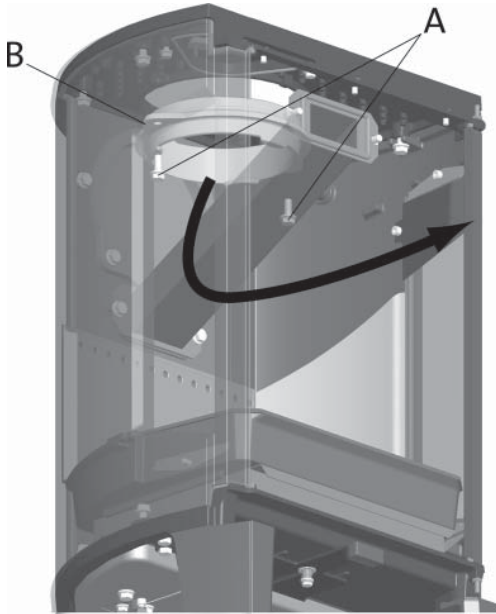
NB! Ga als volgt te werk voor een installatie voor een achteraansluiting

Fig. 4



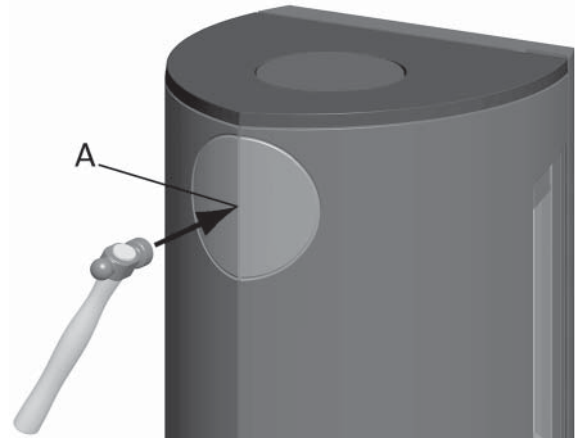
1. Til het schot (**fig. 4 A**) voorzichtig op.
2. Verwijder een van de branderplaten aan de zijkant door deze iets omhoog en vervolgens naar buiten te bewegen. (Wees voorzichtig met gereedschap. De vermiculietplaten kunnen anders beschadigd raken.)
3. Verwijder het schot.
4. Verwijder de andere branderplaat aan de zijkant.
5. Verwijder de uitlaatplaten (**fig. 4 B**).

Fig. 5



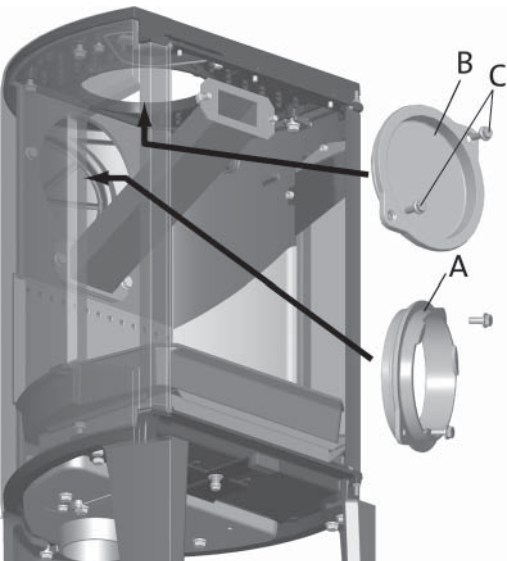
6. Draai de schroeven los (**fig 5 A**) en verwijder de rookgasaansluiting (**fig 5 B**) van de bovenaansluiting aan de binnenzijde van de verbrandingskamer

Fig. 6b



8. Verwijder de verwijderbare platen (**fig. 6b A**).
 9. Sluit de rookgasaansluiting (**fig. 6a A**) aan de binnenzijde van de verbrandingskamer waar de afdekplaat was.
 10. Plaats de afdekplaat (**fig. 6a B**) waar de rookgasaansluiting was.
 11. Plaats de rookgasomleidingsplaten (**fig. 4 B**) en de vlamkeerplaat terug (**fig. 4 A**).

Fig. 6a



7. Draai de schroeven los (**fig. 6a C**) en verwijder de afdekplaat (**fig. 6a B**) van de achteraansluiting aan de binnenzijde van de verbrandingskamer.

4.7 Controle van de bedieningselementen

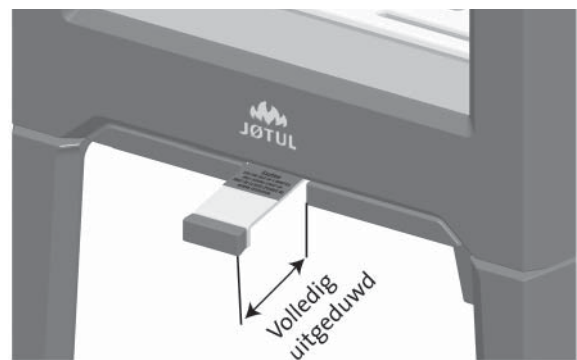
Controleer na de plaatsing van het product altijd de bedieningselementen. Deze moeten gemakkelijk beweegbaar zijn en naar behoren functioneren.

De Jøtul F 162 en F 163 zijn voorzien van de volgende bedieningselementen:

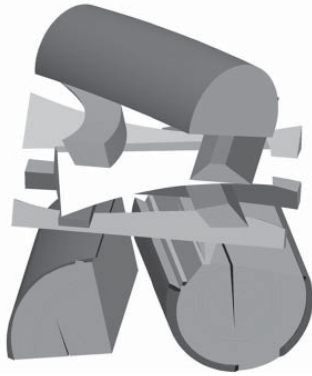
Ontstekingsopening/ventilatieopening

Ontsteking

Fig. 7a



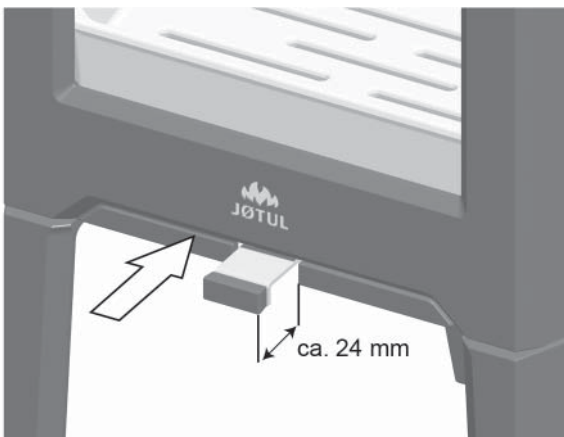
- Open de luchtopening en de ontstekingsopening door de hendels volledig uit te trekken. (Gebruik een handschoen of iets dergelijks om uw hand te beschermen als de hendels warm zijn.)



- Plaats twee blokken op de bodem van de verbrandingskamer en stapel het aanmaakhout hier in lagen op.
- Plaats tenslotte een middelgroot blok op deze stapel.
- Plaats 2 of 3 briketten of aanmaakblokken onder de bovenste laag aanmaakhout en steek het vuur aan.

Verwarming

Fig. 7b



- Schuif de ontstekings-/ventilatieopening (fig. 7 B) zo'n 24 mm uit als het hout goed brandt.
- Sluit de deur.
- Daarna kunt u de verbranding reguleren en met behulp van de luchtopening voor meer of minder warmte zorgen.
- Controleer of de naverbranding (secundaire verbranding) goed op gang komt. Dat is het geval als er gele, flikkerende vlammen voor de gaten onder het schot op gang komen.
- Als de luchtstroom normaal is, kunt u de deur sluiten en zal het vuur automatisch branden.

Houtblokken toevoegen

Stook de kachel regelmatig op, maar gebruik alleen kleine hoeveelheden brandstof tegelijk. Als de kachel te vol is, kan de hitte voor extreme druk in de schoorsteen zorgen. Voeg altijd met mate brandstof bij. Vermijd smeulend vuur omdat dit het meest vervuilend is. Het vuur is het beste als het goed brandt en de rook uit de schoorsteen nauwelijks zichtbaar is.

4.7 Gevaar van oververhitting

De haard mag nooit zo gebruikt worden dat er oververhitting ontstaat.

Oververhitting treedt op als de haard te veel brandstof bevat en/of de luchtopening te ver openstaat zodat er te veel hitte wordt ontwikkeld. Een duidelijk teken van oververhitting is dat er onderdelen van de haard rood gloeien. Als dat gebeurt, moet u de luchtopening direct verkleinen.

Vraag om professioneel advies als u vermoedt dat er geen goede trek in de schoorsteen zit (te veel of te weinig trek). Voor meer informatie, zie «4.0 Installatie» (Schoorsteen en kachelpijp).

5.0 Dagelijks gebruik

Geur bij eerste gebruik van de haard

Als de haard voor de eerste keer wordt gebruikt, kan irriterend gas vrijkomen dat onaangenaam kan ruiken. Dit gebeurt omdat de verf opdroogt. Het gas is niet giftig, maar toch is het beter om de ruimte goed te ventileren. Stook het vuur flink op totdat alle sporen van gas zijn verdwenen en geen rook of geuren meer zijn waar te nemen.

5.1 Bediening

Brandadvies

NB: Blokken hout die buiten of in een koude ruimte zijn opgeslagen moeten 24 uur voor gebruik naar binnen worden gehaald zodat ze op kamertemperatuur kunnen komen. Er zijn verschillende manieren waarop in de kachel gestookt kan worden, maar het is belangrijk dat u altijd voorzichtig bent met het materiaal dat u in de kachel stopt. Zie het hoofdstuk "Houtkwaliteit".

Houtkwaliteit

Met kwaliteitshout bedoelen we de meest bekende soorten hout zoals berk, spar en den.
De blokken moeten goed worden gedroogd zodat er niet meer dan 20% vocht in zit.

Om dit te bereiken moet het hout aan het einde van de winter worden gehakt. De blokken moeten worden gekloofd en dusdanig worden gestapeld dat er voldoende ventilatie is. De houtstapel moet worden afgedekt om de blokken tegen regen te beschermen. De blokken moeten begin herfst naar binnen worden gehaald en worden gestapeld/opgeslagen voor gebruik in de komende winter.

Let er goed op dat u de volgende materialen nooit als brandstof voor uw haard gebruikt:

- Huishoudelijk afval, plastic tassen, enz.
- Geverfd of geïmpregneerd hout (dat is uiterst giftig).
- Gelamineerde houten planken.
- Drijfhout

Deze kunnen schade toebrengen aan het product en zijn ook vervuilend.

NB: Gebruik nooit benzine, paraffine, methylalcohol of dergelijke vloeistoffen om het vuur aan te steken. Dit kan leiden tot ernstig persoonlijk letsel en schade aan het product.

Houtverbruik

Houtverbruik met nominale warmteafgifte: ca. 1,6 kg/u. Een andere belangrijke factor voor het juiste brandstofverbruik is dat de blokken van het juiste formaat zijn. De blokken moeten het volgende formaat hebben:

Aanmaakhout:

Lengte: 23 - 33 cm
Diameter: 2 - 5 cm
Hoeveelheid per vuur: 6 - 8 stuks

Dagelijks gebruik

Brandhout (gehakte blokken):

Lengte: 23 - 33 cm
Diameter: Ongeveer 8 cm
Intervallen voor het aanvullen van het hout: ongeveer iedere 45 minuten
Grootte van het vuur: 1,2 kg
Hoeveelheid per lading: 2 stuks

De nominale warmteafgifte en efficiëntie zijn gebaseerd op verwarming met 1,15 kg beuk (2 houtblokken). De ventilatieopening werd 24 mm uitgetrokken.

De nominale warmteafgifte wordt bereikt wanneer de ventilatieopening ongeveer 60 % is geopend.

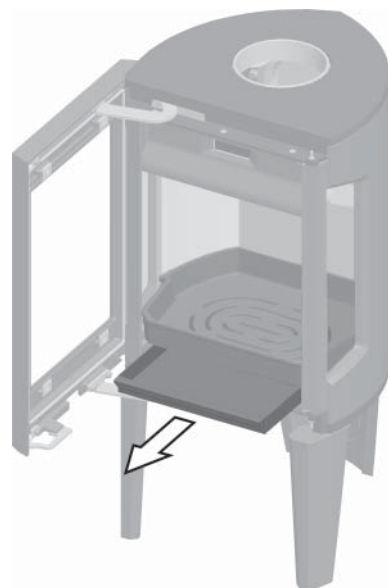
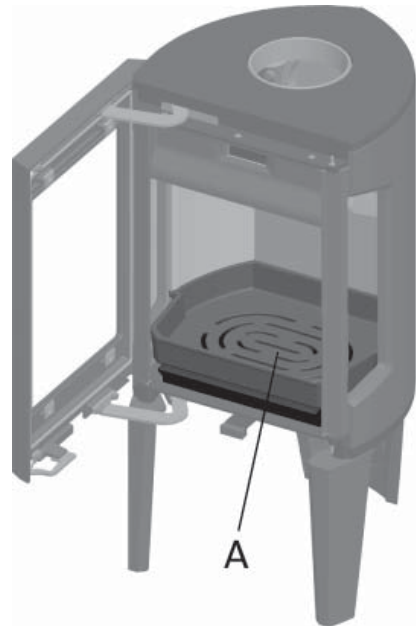
Maximum gebruik

Max. lading hout: 2,9 kg/h, max. 3 stukken, 2,2 kg per vulling.

5.2 De as verwijderen

De Jøtul F 162 / F 163 beschikken over een aslade waarmee de as eenvoudig verwijderd kan worden.

Fig. 8



1. Schraap de as door het rooster (fig. 8 A) op de basisplaat en in de aslade. Gebruik een handschoen als u de hendel van de aslade vastpakt.
1. Zorg ervoor dat de aslade niet zo vol raakt dat er geen as meer door het rooster de lade in kan.

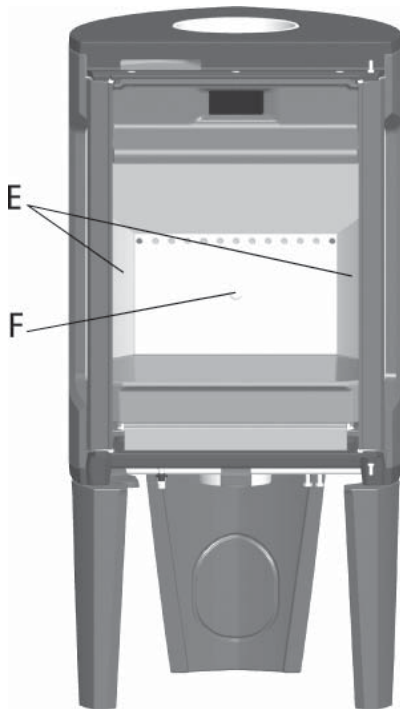
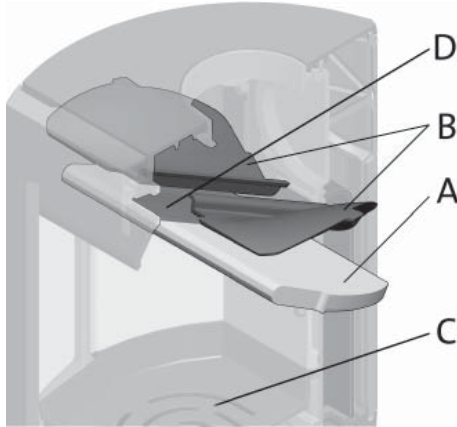
NEDERLANDS

6.0 Groot onderhoud

Waarschuwing! Het is niet toegestaan dit product zonder toestemming te wijzigen.
Gebruik alleen originele reserveonderdelen.

6.1 Brandplaten/binnenste bodemplaat vervangen

Fig.9



1. Til het schot (**fig.9 A**) voorzichtig op.
2. Verwijder een van de branderplaten aan de zijkant door deze iets omhoog en vervolgens naar buiten te bewegen. (Wees voorzichtig met gereedschap. De vermiculietplaten kunnen anders beschadigd raken.)
3. Verwijder het schot.
4. Verwijder de andere branderplaat aan de zijkant.
5. Draai de M8x25 mm schroef op de achterste brandplaat los (**fig. 9 F**) en verwijder de brandplaat.
6. Vervolgens brengt u de binnenste bodemplaat (**fig. 9 C**) omhoog en verwijdert u deze.

Volg dezelfde procedure als voor de installatie, maar dan in omgekeerde volgorde.

6.2 Keerplaat vervangen

- Volg stap 1-3 onder **fig. 9**.
- U kunt dan makkelijk bij de rookplaten (**fig. 9 B**) als deze verwijderd moeten worden. Deze zitten op een knop op de zijkant en op het luchtverdeelstuk (**fig. 9 D**).
- Kantel hem omlaag en verwijder hem via de deur.

Voor het terugplaatsen volgt u dezelfde procedure, maar dan in omgekeerde volgorde.

7.0 Onderhoud

7.1 Glas reinigen

De haard is uitgerust met een ventilatieopening voor het glas. Lucht wordt aangezogen door de luchttoevoer boven de haard en stroomt langs de binnenkant van het glas naar beneden.

Toch zal zich altijd wel roet op het glas ophopen. De hoeveelheid is afhankelijk van de luchtstroom ter plaatse en de stand van de ventilatieopening. De roetlaag wordt gewoonlijk grotendeels weggebrand wanneer de ventilatieopening helemaal open staat en de haard flink brandt.

Goed advies! Maak voor een gewone schoonmaakbeurt een papieren handdoek nat met warm water en voeg er wat as uit de stookplaats aan toe. Wrijf met het papier over het glas en neem het glas daarna af met schoon water. Laat het glas goed drogen. Wanneer het glas grondig moet worden gereinigd, adviseren wij om glasreiniger te gebruiken (volg de gebruiksaanwijzing op de verpakking).

7.2 Schoonmaken en verwijderen van roet

Tijdens gebruik kan zich roet afzetten op de binnenwanden van de haard. Roet werkt isolerend en kan daardoor de warmteafgifte van de haard verminderen. Als er zich te veel roet ophoopt, kunt u dit met een roetverwijderaar eenvoudig verwijderen.

Als u wilt voorkomen dat zich roet of een teerlaag ophoopt in de haard, moet u regelmatig flink stoken om de gevormde laag te verwijderen. Een jaarlijkse schoonmaakbeurt van de binnenkant is nodig voor een optimale warmteafgifte van uw product. Het is verstandig dit gelijktijdig te doen met het schoonmaken van de schoorsteen en de kachelpijp.

7.3 Kachelpijpen vegen tot aan de schoorsteen

Kachelpijpen moeten worden geveegd via een veegluik voor de kachelpijp of via de deuropening.

Eerst moet een van de schotten worden verwijderd om dit te kunnen doen.

7.4 Inspectie van de haard

Jøtul raadt u aan om na het reinigen/vegen zelf een grondige inspectie van de haard uit te voeren. Controleer alle zichtbare oppervlakken op scheuren. Controleer ook of alle verbindingstukken goed zijn afgesloten en of de pakkingen zich in de juiste positie bevinden. Een pakking die tekenen

van slijtage of vervorming vertoont, moet worden vervangen. Maak de groeven van de pakking grondig schoon, breng keramische lijm aan (verkrijgbaar bij uw lokale Jøtul-dealer) en druk de pakking stevig aan. De lijm heeft een korte droogtijd.

7.5 De buitenkant onderhouden

Bij gelakte producten kan er na een paar jaar verkleuring optreden. Voordat u een nieuwe laag verf aanbrengt, moet u het oppervlak reinigen en alle losse deeltjes wegvegen.

8.0 Gebruiksproblemen - problemen oplossen

Slechte trek

Controleer de lengte van de schoorsteen en of hij voldoet aan de geldende wetten en voorschriften.

Zorg ervoor dat de minimale afmetingen van de schoorsteen overeenkomen met de beschrijving in «**2.0 Technische gegevens**».

Controleer of de afvoer van gassen niet wordt belemmerd, zoals bijvoorbeeld door takken of bomen, enzovoort.

Als u vermoedt dat de schoorsteen overmatig of onvoldoende trekt, neemt u contact op met een deskundige die maatregelen kan nemen.

Het vuur gaat na enige tijd uit

- Controleer of het brandhout droog genoeg is.
- Controleer of er onderdruk is in de woning, sluit mechanische ventilatiesystemen en open een raam dicht bij de haard.
- Controleer of de ventilatieopening is geopend.
- Controleer of de kachelpijp niet verstopt is met roet.

Als er zich een ongebruikelijke hoeveelheid roet ophoopt op het glas

Er zal zich altijd roet ophopen op het glas, maar de hoeveelheid is afhankelijk van:

- De vochtigheid van de brandstof.
- De luchtstroom ter plaatse.
- De instelling van de ventilatieopening.

De roetlaag wordt gewoonlijk grotendeels weggebrand wanneer de ventilatieopening helemaal open staat en de haard flink brandt.

9.0 Optionele accessoires

9.1 Pootkap - buitenluchtaansluiting

Art. nr. 51012329

9.2 Spekstenen bovenkant - 50 mm, compleet

Art. nr. 51012327

9.0 Recycling

9.1 Recyclen van de verpakking

Uw kachel wordt in de volgende verpakking geleverd:

- Een houten pallet dat in stukken gesneden en in de kachel verbrand kan worden.
- Een kartonnen verpakking die naar een plaatselijke faciliteit voor recyclen van materialen gebracht moet worden.
- Plastic zakken die naar een plaatselijke faciliteit voor recyclen van materialen gebracht moet worden.

9.2 Recyclen van de kachel

De kachel is gemaakt van:

- Metaal dat naar een plaatselijke faciliteit voor recyclen van materialen gebracht moet worden.
- Glas dat afgedankt moet worden als gevaarlijk afval. Het glas van de kachel mag niet via het normale gescheiden afval worden afgedankt.
- Platen in de verbrandingskamer van vermiculiet die via het normale afval mogen worden afgedankt.

10.0 Garantievoorwaarden

1. Onze garantie dekt:

Jøtul AS garandeert dat de externe gietijzeren onderdelen vrij zijn van materiaal- en fabricagefouten op het moment van aankoop. U kunt de garantie op de externe gietijzeren onderdelen verlengen tot 25 jaar na de leverdatum door het product te registreren op jotul.com en het bewijs van deze verlengde garantie binnen drie maanden na aankoop uit te printen. We adviseren u het garantiebewijs samen met de aankoopbon te bewaren. Jøtul AS garandeert tevens dat de staalplaten onderdelen vrij zijn van materiaal- en fabricagefouten op het moment van aankoop en tot 5 jaar na de leverdatum.

Deze garantie geldt op voorwaarde dat de kachel is geïnstalleerd door een erkende installateur, overeenkomstig de geldende wet- en regelgeving en Jøtul's installatie- en gebruiksinstructies. Gerepareerde producten en vervangende onderdelen vallen onder de garantie gedurende het resterende deel van de oorspronkelijke garantieperiode.

2. De garantie dekt niet:

- 2.1. Schade aan verbruiksonderdelen zoals brandplaten, vuurroosters, keerschotten, ringen en vergelijkbare onderdelen, aangezien deze onderhevig zijn aan normale slijtage.
- 2.2. Schade veroorzaakt door onjuist onderhoud, oververhitting, gebruik van ongeschikte brandstof (waaronder begrepen maar niet beperkt tot drijfhout, geïmpregneerd hout, houtafval, spaanplaat) of te vochtig hout.
- 2.3. Installatie van optionele extra's teneinde de trek, luchttoevoer en andere externe factoren buiten de invloedssfeer van Jøtul te verbeteren.
- 2.4. Aanpassingen of wijzigingen aan de haard zonder toestemming van Jøtul of het gebruik van niet-originele onderdelen.
- 2.5. Schade veroorzaakt tijdens opslag bij een distributeur, transport vanaf een distributeur of tijdens de installatie
- 2.6. Producten verkocht door niet-erkende verkopers in regio's waar Jøtul met een selectief distributiesysteem werkt.
- 2.7. Bijbehorende kosten (waaronder begrepen maar niet beperkt tot transport-, arbeids- en reiskosten) of indirecte schade.

Voor pelletkachels, glas, steen, beton, email en lak (waaronder begrepen maar niet beperkt tot breuken, scheuren, barsten, blaasjes, verkleuring of craquelé) geldt de nationale wetgeving die van toepassing is op de verkoop van consumentengoederen. Deze garantie is geldig voor aankopen gedaan binnen de Europese Economische Ruimte. Alle garantieaanspraken dienen binnen een redelijke termijn te worden gericht aan uw lokale erkende Jøtul-dealer, uiterlijk 14 dagen nadat de fout of het gebrek is geconstateerd. Zie onze website www.jotul.com voor een overzicht van importeurs en dealers.

Wanneer Jotul niet is staat is om zijn verplichtingen na te komen zoals vermeldt in bovenstaande garantie voorwaarden, Jotul zal dan een alternatief product kosteloos aanbieden met gelijke verwarmingscapaciteit.

Jøtul behoudt zich het recht voor af te zien van reparatie of vervanging van onderdelen in het geval dat de garantie niet online is geregistreerd. Deze garantie doet geen afbreuk aan enig recht krachtens de geldende nationale wetgeving van toepassing op de verkoop van consumentengoederen. Het nationale reclamerecht geldt vanaf de aankoopdatum en uitsluitend onder overlegging van een aankoopbon/serienummer.

Spis treści

1.0 Zgodność z przepisami	49
2.0 Dane techniczne	49
3.0 Bezpieczeństwo	60
4.0 Montaż	60
5.0 Codzienne użytkowanie	63
6.0 Serwis	65
7.0 Konserwacja	65
8.0 Problemy eksploatacyjne - rozwiązywanie problemów.....	58
9.0 Wyposażenie opcjonalne	59
10.0 Recykling	59
14.0 Gwarancja	59

Aby uzyskać 25-letnią gwarancję, zarejestruj swój piec na jotul.com.

Product: Jøtul			
Room heater for solid fuel			
CE			
Standard	EN 13240	EN 13240	EN 13240
Minimum distance to adjacent combustible materials	100 mm	100 mm	100 mm
Minimum distance to adjacent non-combustible materials	100 mm	100 mm	100 mm
Efficiency of CO ₂ combustion products	83%	82%	82%
Flue gas temperature	260 °C	260 °C	260 °C
Horizontal heat output	5,0 kW	5,0 kW	5,0 kW
Efficiency	83%	82%	82%
Operation range	5,0 kW	5,0 kW	5,0 kW
Fuel type	Wood	Wood	Wood
Operational type	Open	Open	Open
The appliance can be used in a shared flue.			
Country	Classification	Certification	Approved by
Norway	Class II	CE	SP-Sveiges Provergs- och kontrollmyndighet
Sweden	200	SP	SP-Sveiges Provergs- och kontrollmyndighet
EUR	Interim class I	EN	SP-Sveiges Provergs- och kontrollmyndighet
Follow user's instructions. Use only recommended fuels.			
Montage- und Bedienungsanleitung beach. ten.			
Verwenden Sie nur empfohlene Brennstoffe.			
Respecter les consignes d'usage. Utilisez uniquement les combustibles recommandés.			
Serial no. Yxxxx, Year: 200x	221546		
Manufacturer: Jøtul AS	POB 1441		
Nr-1602 Fredrikstad	Norway		

Na każdym z naszych produktów widnieje etykieta pokazująca numer seryjny oraz rok produkcji. Numer ten należy wpisać w miejscu wskazanym w instrukcji obsługi.

Numer ten należy podać przy każdym kontakcie ze sklepem lub firmą **Jøtul**.

Numer seryjny

1.0 Zgodność z przepisami

Montaż kominka należy wykonać zgodnie z przepisami obowiązującymi w danym kraju.

W trakcie montażu urządzenia należy przestrzegać wszelkich przepisów lokalnych, jak również przepisów odnoszących się do norm państwowych lub europejskich. Przed użyciem produktu, cała instalacja musi zostać sprawdzona przez wykwalifikowanego i uprawnionego instalatora.

Tabliczka z danymi produktu wykonana z materiału żaroodpornego przytwierdzona jest do produktu (Rys. 3B). Tabliczka ta zawiera informacje dotyczące identyfikacji oraz dokumentacji produktu.

2.0 Dane techniczne

	Jøtul F 162	Jøtul F 163
Materiał:	Żeliwo	Żeliwo
Wykończenie:	Farba	Farba
Opał:	Drewno	Drewno
Długość polan, max.:	33 cm	33 cm
Podłączenie:	Górne / tylne	Górne / tylne
Średnica rury dymnej:	Ø150 mm	Ø150 mm
	pow. przekroju	pow. przekroju
Waga:	115 kg	115 kg
Wyposażenie opcjonalne:		Osłona nogi
Osłona nogi	tylnej, steatytowa płyta górna	tylnej, steatytowa płyta górna
Wymiary, odległości itp.:	Patrz rys.1	

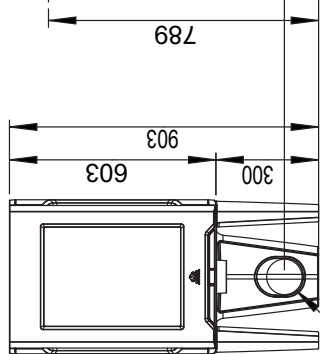
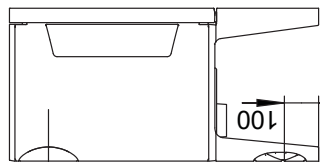
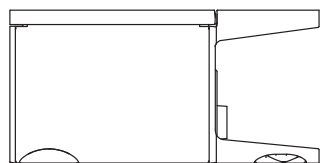
Dane techniczne zgodnie z EN 13240

	Jøtul F 162	Jøtul F 163
Nomin. moc grzewcza:	5,0 kW	5,0 kW
Przepływ masy gazów spalinowych:	5,0 g/s	5,0 g/s
Zalecany ciąg kominowy:	12 Pa	12 Pa
Wydajność:	83% @ 5,9 kW	82% @ 5,9 kW
Emisja CO (13% O ₂):	0,06 %	0,10 %
Emisja CO (13% O ₂):	792 mg/m ³	1242 mg/m ³
Temperatura spalin:	260 °C	260 °C
Typ pracy:	Okresowy	

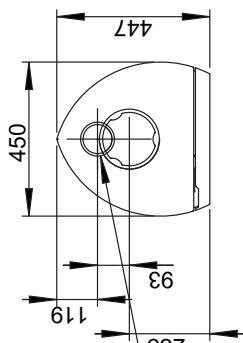
Palenie okresowe oznacza codzienną eksploatację kominka. Innymi słowy, ogień musi wypalić się do żaru przed ponownym dołożeniem opału do kominka.

Jøtul F 162 / Jøtul F 163

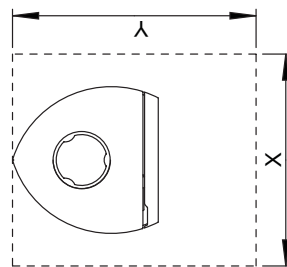
Rys. 1a



Dopływ powietrza zewnętrznego
otwór w ścianie, Ø 100 mm



Dopływ powietrza
zewnętrznego
otwór w podłodze,
Ø 100 mm

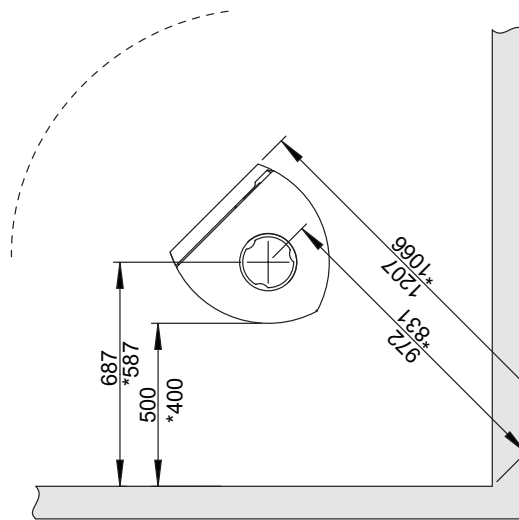
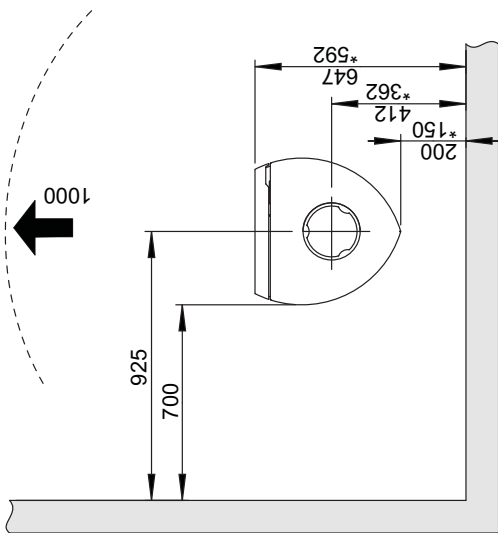


Minimalne wymiary płyty podlogowej
X / Y= zależy od przepisów krajowych
Patrz punkt 4.1

Ściany z materiałów palnych



Minimalne odległości od ścian palnych



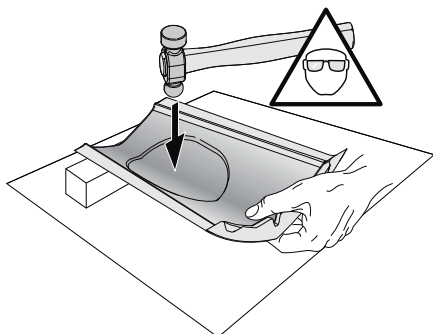
* Z częściowo izolowanym kominem /
osłonięta rura dymowa aż do pieca

Dopływ powietrza

Dopływ powietrza zewnętrznego można podłączyć bezpośrednio do pieca poprzez:

- elastyczny kanał zasilający dopływ powietrza z zewnątrz, podłączony do wlotu powietrza zewnętrznego pieca.

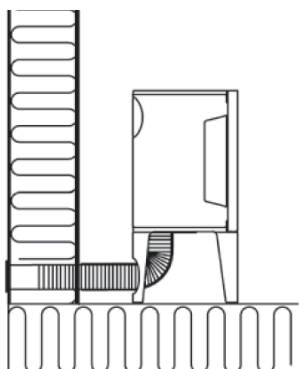
Uwaga! Zaślepki podłączenie powietrza zewnętrznego należy wybić na zewnątrz tylnej nogi od jej strony wewnętrznej. Prace wykonaj w goglach ochronnych.



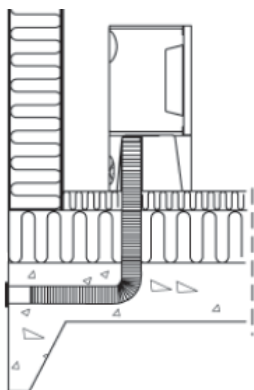
Wskazówka: Dużym ułatwieniem jest wykonanie tej pracy, gdy noga jest zdemontowana.

1. Połóż piec na podłodze chroniąc jej powierzchnię za pomocą kartonowego opakowania.
2. Zdemonuj tylną nogę pieca.
3. Użyj ciężkiego młotka i mocno uderz w środek zaślepki.

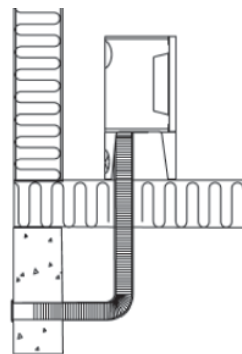
Rys. 2a, podłączenie przez ścianę zewnętrzną



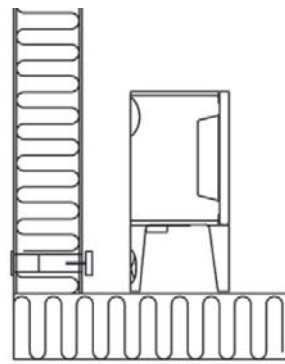
Rys. 2b, podłączenie przez podłogę i fundament



Rys. 2c, podłączenie przez podłogę i piwnicę



Rys. 2d, podłączenie pośrednie przez ścianę zewnętrzną



3.0 Bezpieczeństwo

Uwaga! Aby zagwarantować optymalne funkcjonowanie i bezpieczeństwo użytkownika, instalacja produktu musi zostać przeprowadzona przez wykwalifikowanego instalatora.

Wszelkie modyfikacje produktu wprowadzone przez dystrybutora, instalatora, bądź też kupującego mogą mieć wpływ na prawidłowe działanie produktu. To samo odnosi się do instalacji akcesoriów i wyposażenia opcjonalnego nie dostarczonego przez firmę Jøtul. Ponadto usunięcie lub demontaż części niezbędnych dla prawidłowego działania produktu może wpłynąć na bezpieczeństwo w jego eksploatacji.

W powyższych przypadkach producent nie ponosi odpowiedzialności za produkt, a gwarancja na produkt zostaje anulowana.

3.1 Środki zapobiegawcze na wypadek pożaru

Podczas każdego użycia kominka istnieje niebezpieczeństwo pożaru. Aby go uniknąć należy stosować się do poniższych zaleceń:

- Zachowaj minimalne odległości podczas instalacji i eksploatacji (patrz Rys.1).
- Upewnij się, że meble i wszelkie inne materiały palne znajdują się w odpowiedniej odległości od kominka. Zaleca się by materiały palne znajdowały się w odległości minimum 1 m od kominka.
- Oczekaj by ogień w kominku się wypalił.
- Kominek nagrzewa się podczas eksploatacji i w przypadku bezpośredniego kontaktu ze skórą może spowodować oparzenia.
- Usuwać popiół gdy kominek wystygł. Popiół może zawierać żar i z tego powodu powinien być umieszczony w pojemniku wykonanym z materiału niepalnego.
- Składuj popiół na zewnątrz bądź usuwaj w miejsce, które nie stwarza zagrożenia pożarowego.

W przypadku pożaru w kominie

- Należy zamknąć wszystkie luki i zawory.
- Zamknąć drzwiczki komory spalania.
- Sprawdzić poddasze i piwnice czy nie stwierdza się obecności dymu.
- Wezwać straż pożarną.
- Po wykryciu pożaru przed ponownym użyciem produktu należy przeprowadzić ponowną kontrolę by upewnić się że cały układ działa poprawnie.

4.0 Montaż

Uwaga! Przed rozpoczęciem montażu sprawdź, czy kominek nie posiada żadnych uszkodzeń. Produkt jest ciężki! Należy podnosić oraz montować kominek z pomocą innych osób.

4.1 Podłoga

Nośność podłoża

Nośność podłoża (podłogi) należy dostosować do parametrów kominka. Por. «2.0 Dane techniczne» w zakresie specyfikacji dotyczącej wagi.

Ochrona podłogi z materiałów palnych

Jeżeli piec ma zostać zamontowany na podłodze wykonanej z materiałów palnych, wówczas należy zastosować metalową płytę lub też inny materiał niepalny, aby osłonić podłogę pod i przed piecem. Zalecana minimalna grubość tego materiału musi wynosić 0,9 mm.

Zaleca się, aby podłoga, która nie jest przymocowana do podłoża – tzw. podłoga pływająca – została usunięta podczas instalacji.

Wszelkie materiały pokrywające podłogę, wykonane z materiałów palnych, takich jak linoleum, dywany itd. należy usunąć spod blachy podłogowej.

Przednia płyta ochronna musi być wykonana zgodnie z przepisami polskiego Prawa Budowlanego.

W sprawie ograniczeń oraz wymogów dotyczących instalacji prosimy o kontakt z miejscowymi władzami budowlanymi.

4.2 Ściany

Odległość od ściany z materiałów palnych (Rys. 1a)

Można zainstalować piec z nie izolowaną rurą dymową pod warunkiem, że będą zachowane prawidłowe odległości od materiałów palnych (**patrz Rys. 1a**).

Odległości od ściany z izolowaną rurą dymową: patrz Rys. 1A.

Odległość od ściany z materiałów palnych chronionej murem ogniowym (Rys. 1B)

Wymagania dla ściany ogniowej

Ściana ogniowa musi posiadać grubość min. 100mm i być wykonana z cegły, betonu lub lekkiego betonu albo z 50mm kominkowej płyty izolacyjnej + 50mm wełny mineralnej o gęstości 120 kg/m³ z jednostronnym pokryciem folią aluminiową. Inne materiały i struktury mogą być stosowane z odpowiednią dokumentacją, oraz spełniać muszą wymogi norm krajowych.

W sprawie ograniczeń oraz wymogów dotyczących instalacji prosimy o kontakt z miejscowymi władzami budowlanymi.

Odległość od ściany z materiału niepalnego

Pojęcie „ściana z materiału niepalnego” należy rozumieć jako nienośną ścianę wykonaną z cegły lub betonu.

W sprawie ograniczeń oraz wymogów dotyczących instalacji prosimy o kontakt z miejscowymi władzami budowlanymi.

4.3 Komin i rury podłączeniowe

- Piec należy podłączyć do kanału dymowego za pomocą rur przeznaczonych do połączeń palenisk na paliwa stałe zgodnie ze specyfikacją w «2.0 Dane techniczne».
- Powierzchnia przekroju poprzecznego kanału dymowego musi być co najmniej równa powierzchni przekroju poprzecznego wylotu spalin. Użyj do obliczeń danych zgodnych ze specyfikacją w «2.0 Dane techniczne».
- Podłączenie do kominu prefabrykowanego musi być zgodne z instrukcją połączeń dla tego typu kominów.
- Przed wykonaniem otworów podłączeniowych w kominie, należy przeprowadzić test montażowy w celu wyznaczenia miejsca podłączenia. Minimalne wymiary podłączenia pokazane są na Rys. 1.
- Sprawdź czy przewód podłączeniowy na całej swojej długości jest skierowany ku górze, aż do połączenia z kanałem dymowym w kominie.
- Aby umożliwić późniejsze usuwanie sadzy z rur podłączeniowych zastosuj kolano z otworem rewizyjnym.
- Zwróć uwagę, aby połączenia były elastyczne, tzn. nie mogą być ciasno spasowane. Pozwala to zapobiec powstawaniu naprężeń i pęknięć.
- Zalecany ciąg kominowy, patrz «2.0 Dane techniczne». Prawidłowy przekrój rur podłączeniowych, patrz «2.0 Dane techniczne»

Ważne! Wysokość kominu powinna wynosić minimum 4,5 m licząc od poziomu dna komory paleniskowej do górnej krawędzi wylotu przewodu dymowego. Jeśli ciąg jest zbyt silny, należy zainstalować na przewodzie dymowym szyber, w celu zmniejszenia ciągu.

Ciężar konstrukcji obudowy kominka nie może być przeniesiony na komin. Obudowa kominka nie może utrudniać ruchów kominu i nie może ona być przymocowana do kominu.

4.4 Przed montażem

Produkt jest dostarczany w jednym opakowaniu.

Po odpakowaniu kominka upewnij się, że wkład kominkowy nie jest w żaden sposób uszkodzony, a mechanizm regulacji działa poprawnie.

4.5 Mechanizm samozamykający drzwi

Piec posiada mechanizm samozamykający drzwi. W razie potrzeby można go usunąć

Rys. 3



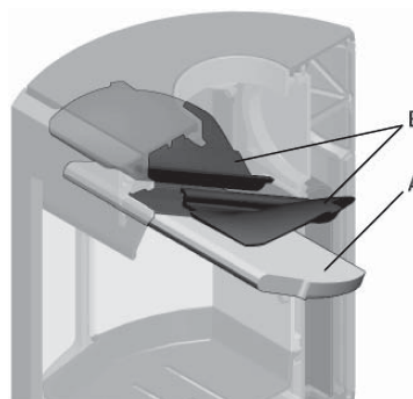
1. Odkręć śrubę i nakrętkę (Rys. 3A)
2. Zdejmij sprężynę z haczyka i usuń ją.

4.6 Podłączenie rury dymowej - wylot tylny

Piec jest fabrycznie przygotowany do górnego podłączenia rur dymowych.

Uwaga! Aby podłączyć rurę dymową z tylnym wylotem należy postępować zgodnie z poniższą procedurą:

Rys. 4



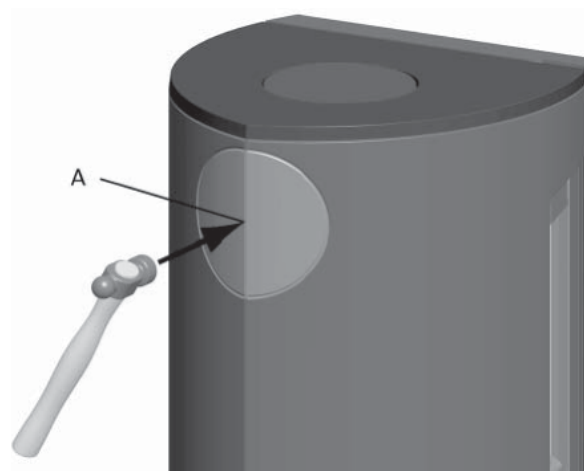
1. Unieś ostrożnie wermikulitową płytę dopalającą (Rys. 4A).
2. Usuń jedną wewnętrzną płytę boczną: lekko ją podnieś i wtedy wyjmij. (używając narzędzi bądź bardzo ostrożny, aby nie uszkodzić wermikulitu).
3. Wyjmij płytę dopalającą.
4. Wyjmij drugą boczną płytę wewnętrzną.
5. Wyjmij oba deflektory żeliwne (Rys. 4B).

Rys. 5



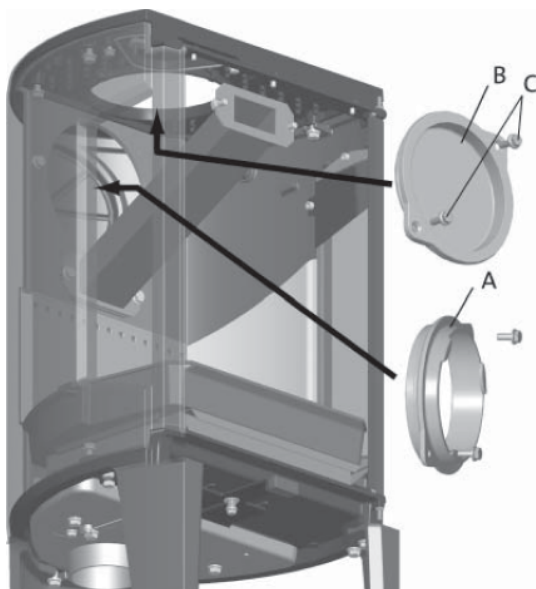
6. Odkręć śruby (**Rys. 5 A**) i usuń króciec dymowy (**Rys. 5 B**) z górnej części komory spalania.

Rys. 6b



8. Wybij zaślepkę tylnego wylotu spalin (**Rys. 6b A**).
 9. Zamocuj od środka komory spalania króciec dymowy (**Rys. 6a A**) w miejscu, gdzie wcześniej znajdowała się zaślepka tylnego wylotu spalin.
 10. Zamontuj pokrywę wylotu spalin (**Rys. 6a B**) w miejscu, w którym wcześniej znajdował się króciec dymowy.
 11. Zainstaluj ponownie górną (**Rys. 4 B**) i dolną płytę dopalającą (**Rys. 4 A**).

Rys. 6a



7. Odkręć śruby (**Rys. 6a C**) i zdejmij osłonę (**Rys. 6a B**) z tylnego wylotu od środka komory spalania.

4.7 Kontrola funkcji

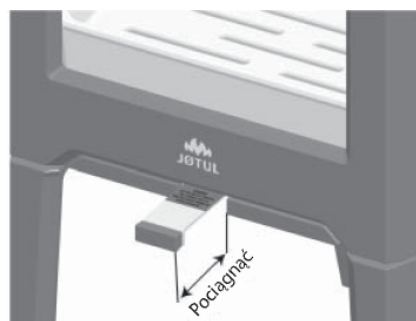
Gdy piec jest już podłączony należy zawsze sprawdzić funkcje kontrolne. Ruchome elementy powinny poruszać się z łatwością i funkcjonować w prawidłowy sposób.

Jøtul F 162 i Jøtul F 163 są wyposażone w następujące regulatory:

Cięgno powietrza do rozpalania / Cięgno powietrza do palenia

Rozpalanie

Rys. 7a



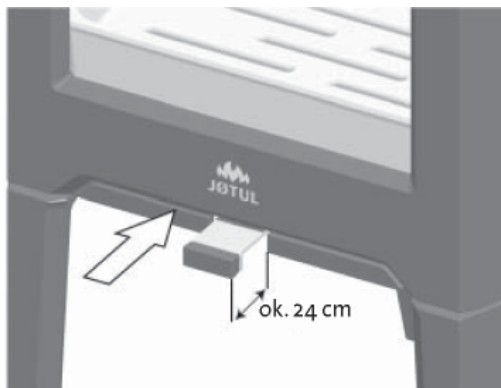
- Otwórz zawór rozpalania i palenia wyciągając cięgno na zewnątrz. (Należy użyć rękawicy lub przedmiotu o podobnych funkcjach ochronnych na wypadek gdyby cięgno było gorące).



- Umieść dwa polana na dnie komory spalania i warstwę rozpałki.
- Następnie umieść średniej wielkości polano na szczycie stosu.
- Umieść 2 lub 3 kostki podpałki pod wierzchnią warstwą rozpałki i rozpal ogień.

Palenie

Rys. 7b



- Pozostaw zawór rozpalania otwarty tak, by wysunięta część ciągną była na długości 24 mm. Odczekaj do czasu, gdy drewno zajmie się ogniem, a piec dobrze się rozpali.
- Zamknij drzwi pieca.
- Wyreguluj tempo spalania by uzyskać zamierzoną temperaturę przez ustawienie ciągną zaworu w odpowiedniej pozycji.
- Upewnij się, że dopalanie (tzw. spalanie wtórne) zostało zainicjowane. Na rozpoczęcie tego etapu będą wskazywały żółte migające płomienie przed otworami pod dolną płytą dopalającą.

Dodawanie opału

Należy regularnie podkładać do ognia, jednak jedynie niewielkie ilości opału naraz. Jeżeli piec będzie przeładowany, powstające ciepło może powodować ekstremalne naprężenia komina. Należy dodawać opału z umiarem.

Staraj się unikać tlenia się drewna, ponieważ w trakcie tego procesu powstaje najwięcej zanieczyszczeń.

Ogień powinien być dobrze rozpalony, a dym z komina powinien być prawie niewidoczny.

4.7 Niebezpieczeństwo przegrzania

Zabrania się używania pieca w taki sposób, który mógłby wywołać efekt przegrzania.

Przegrzanie ma miejsce gdy wewnątrz pieca jest zbyt dużo tlenu co prowadzi do wytworzenia się zbyt wysokich temperatur. Oznaką przegrzania są żarzące się elementy pieca. W takim wypadku należy natychmiast zmniejszyć otwór zaworu powietrznego.

Jeżeli podejrzewają Państwo, że komin nie wytwarza odpowiedniego ciągu (ciąg jest zbyt silny lub zbyt słaby), proszę zasięgnąć porady specjalisty. Szczegóły patrz "4.0 montaż" (komin i rura dymowa).

5.0 Codzienne użytkowanie

Zapach podczas pierwszego użycia pieca

Piec może wydzielać drażniący zapach podczas pierwszego użycia. Przyczyną jest utwardzanie się powłoki malarskiej. Mimo, że powstały podczas tego procesu gaz nie jest toksyczny, pomieszczenie należy dokładnie wywietrzyć. Pozwól, by ogień palił się przy dużym dostępie powietrza do spalania, aż wszelkie ślady gazu znikną, a dym lub zapach nie będą wyczuwalne.

5.1 Obsługa

Zalecenia dotyczące palenia

Uwaga! Polana, które są składowane na zewnątrz należy przenieść do budynku na 24 godziny przed użyciem by osiągnęły temperaturę otoczenia.

Istnieje kilka różnych sposobów opalania drewnem, ale istotne jest by być bardzo ostrożnym, jakich materiałów używamy do spalania w piecu. Patrz "Jakość drewna opałowego".

Jakość drewna opałowego

Poprzez dobrą jakość drewna opałowego rozumiemy polana np. z brzozy, buku, oraz dębu.

Drewno dobrej jakości powinno być wysuszone do poziomu zawartości wody ok. 20%.

Aby to osiągnąć, drzewo należy ścinać co najmniej późną zimą lub wczesną wiosną. Powinno zostać pocięte oraz ułożone na stosie w sposób umożliwiający cyrkulację powietrza. Stosy drewna powinny zostać zabezpieczone tak, aby uniknąć nadmiernej absorpcji wody deszczowej. Jesienią drewno powinno być schowane wewnątrz do zastosowania w okresie zimowym.

Nigdy nie należy rozpalać ognia przy użyciu następujących materiałów:

- Śmieci, toreb plastikowych itp.
- Malowanego lub impregnowanego drewna (wysoko toksyczne).
- Płyt wiórowych lub płyt laminatu.
- Drewna wyrzuconego przez morze (zanieczyszczone solą).

POLSKI

Mogą one uszkodzić urządzenie oraz zanieczyścić atmosferę. Uwaga. Nigdy nie stosuj do rozpalania ognia płynów łatwopalnych takich jak benzyna, nafta, alkohol lub podobnych. Może to spowodować zagrożenie dla ciebie oraz urządzenia.

Zużycie opału

Zużycie drewna przy znamionowej mocy grzewczej wynosi ok. 1,6 kg/h. Innym ważnym czynnikiem właściwego zużycia opału jest odpowiednia długość polan. Prawidłowy rozmiar polan to:

Drewno do rozpałki:

Długość: ok. 23 - 33 cm

Średnica: 2 - 5 cm

Ilość: 6-8 sztuk

Drewno opałowe:

Długość: ok. 23 - 33 cm

Średnica: ok. 8 cm

Waga: ok. 1,2 kg

Ilość: 2 sztuki

Przedział czasowy dokładania opału: około 45 min.

Nominalna moc grzewcza i sprawność są osiągnięte przy całkowitym załadunku 1,15 kg suchego drewna bukowego (2 polana). Zawór regulacji powietrza powinien być wyciągnięty na ok. 24 mm, co odpowiada otwarciu dopływu powietrza na ok. 60%.

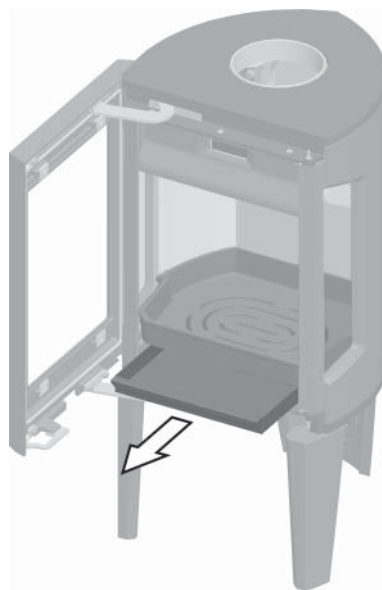
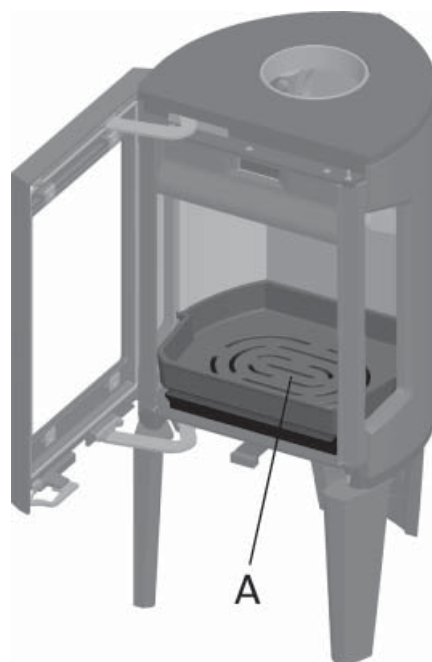
Maksymalna ilość opału

Maksymalny załadunek opału: 2,9 kg/h (maks. 3 polana/2,2kg)

5.2 Usuwanie popiołu

Piece Jøtul F 162 i Jøtul F 163 są wyposażone w popielnik, który ułatwia usuwanie popiołu.

Rys. 8



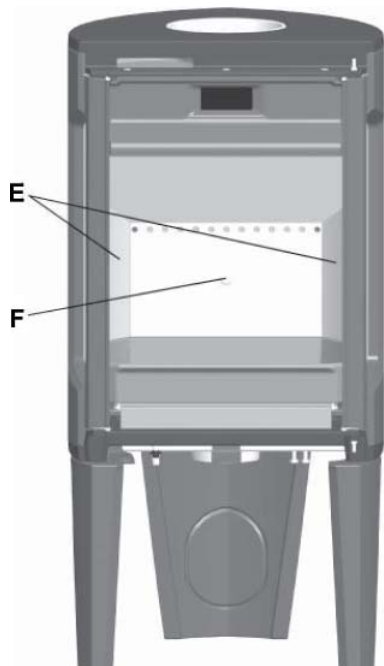
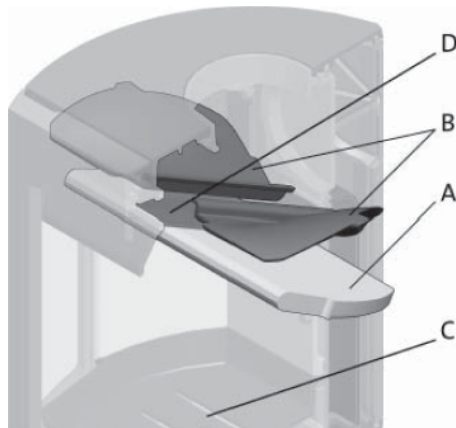
1. Zgarnij popiół przez ruszt znajdujący się w płycie dennej (Rys. 8 A) do popielnika. Przy tej czynności należy stosować rękawicę ochronną do uchwycenia za rączkę popielnika.
2. Upewnij się czy popielnik nie jest przepelniony ponieważ podczas czynności usuwania popiołu z popielnika, popiół może nie przesypać się przez ruszt do popielnika.

6.0 Serwis

Ostrzeżenie! Jakiegokolwiek zmiany w konstrukcji pieca są niedopuszczalne i mogą być przyczyną jego uszkodzenia i utraty gwarancji. Należy stosować tylko oryginalne części zamienne

6.1 Wymiana płyt wewnętrznych / wewnętrznej płyty dennej

Rys. 9



- Wyjmij dolną płytę dopalającą (**Rys. 9 A**).
- Zdemonstuj boczne płyty wewnętrzne (**Rys. 9 E**), podnosząc je nieznacznie, a następnie wyciągając na zewnątrz (w przypadku korzystania z narzędzi należy zachować ostrożność, gdyż wermikulit z którego wykonane są płyty może ulec uszkodzeniu).
- Odkręć śrubę M8x25mm znajdującą się na środku tylnej płyty (**Rys. 9 F**) i wyjmij tę płytę z pieca.
- Unieś i wyjmij płytę denną (**Rys. 9 C**).

Nowe płyty włóż w odwrotnej kolejności: najpierw dolną, następnie tylną i boczne.

6.2 Wymiana płyt dopalających

- Unieś dolną płytę dopalającą (**Rys. 9 A**) i wyjmij ją przez drzwi pieca. Teraz masz łatwy dostęp do górnej płyty dopalającej (**Rys. 9 B**), jeśli zaistnieje potrzeba jej usunięcia. Jest ona oparta na wypuszczeniu od strony płyty tylnej i rozgałęzionego przewodu powietrznego (**Rys. 9D**).
- Skieruj krawędzie ku dołowi i wyjmij górną płytę dopalającą przez drzwi pieca.

Nowe płyty włóż w odwrotnej kolejności.

7.0 Konserwacja

7.1 Czyszczenie szyby

Niniejsze urządzenie jest zaopatrzone w system samooczyszczania szyby (air wash), który pomaga utrzymać szybę w odpowiedniej czystości. Powietrze jest zasysane przez kurtynę powietrzną na górze urządzenia i idzie ku dołowi, wzdłuż wewnętrznej powierzchni szyby.

Niestety niewielkie ilości sadzy zawsze będą odkładać się na szybie, a ich ilość będzie zależała głównie od bieżących parametrów ciągu kominowego i ustawienia zaworu powietrza do spalania. Większość tej warstwy sadzy, która odłożyła się na szybie, wypali się, kiedy ciągnie powietrze do spalania znajdującego się w pozycji całkowicie otwartej, a ogień w piecu będzie intensywnie płonął.

Zalecana metoda czyszczenia: w celu regularnego czyszczenia należy zwilżyć ciepłą wodą papierowy ręcznik i dodać trochę popiołu z komory spalania. Następnie rozetrzeć popiół na szybie, po czym umyć szybę czystą wodą. Dokładnie wytrzeć do sucha. Jednak jeśli zaistnieje potrzeba dokładniejszego czyszczenia, zalecamy zastosowanie preparatu do czyszczenia szklanych powierzchni (należy postępować według instrukcji na pojemniku z preparatem).

7.2 Czyszczenie i usuwanie sadzy

Osad z sadzy może się kumulować na powierzchniach wewnętrznych pieca podczas użytkowania. Sadza jest dobrym izolatorem i dlatego też zmniejsza ona wydajność grzewczą urządzenia. Osady te można łatwo usunąć stosując środek do usuwania sadzy.

Aby uniknąć tworzenia się warstw smolistych w piecu, należy regularnie pozwalać ogniovi palić się pełną mocą, w celu ich usunięcia. Raz do roku należy wyczyścić wnętrze pieca w celu osiągnięcia najlepszych efektów grzewczych urządzenia. Podczas tej czynności należy zdemonstować wszystkie płyty wewnętrzne i usunąć nagromadzony za nimi popiół. Należy dokonać takiego czyszczenia przy okazji czyszczenia kamina.

7.3 Czyszczenie komina oraz rur podłączeniowych

Komin należy czyścić okresowo, zgodnie z obowiązującymi przepisami lub w przypadku stwierdzenia jego mocnego zabrudzenia sadzą. W trakcie czyszczenia przewodu dymowego, kominarz ma obowiązek wyczyścić również rury łączące piec z kanałem dymowym, usunąć sadze zgromadzone w wyczystce oraz dokonać oceny stanu technicznego komina. Wszelkie zauważone pęknięcia i nieszczelności muszą być naprawione przed ponownym rozpaleniem pieca.

Rury podłączeniowe można czyścić przez drzwi pieca po wcześniejszym demontażu płyty dopalającej (Patrz pkt 6.2).

7.4 Kontrola pieca

Firma Jøtul zaleca uważną kontrolę pieca po każdym czyszczeniu. Sprawdź wszystkie widoczne powierzchnie czy nie powstały pęknięcia. Sprawdź ponadto szczelność wszystkich połączeń i pozycje uszczelek. Te wykazujące uszkodzenia lub oznaki zużycia należy wymienić.

Zagłębienia na uszczelki należy dokładnie wyczyścić, a następnie nałożyć klej ceramiczny (do nabycia u dealerów firmy Jøtul). Uszczelkę wcisnąć na miejsce i poczekać do wyschnięcia kleju.

7.5 Konserwacja części zewnętrznych

Produkty malowane mogą zmienić kolor po kilku latach eksploatacji. W takich przypadkach należy oczyścić powierzchnię produktu usuwając wszystkie odstające cząsteczki, a następnie ponownie pomalować piec.

8.0 Problemy eksploatacyjne - rozwiązywanie problemów

Słaby ciąg kominowy

Sprawdź wysokość komina i jego zgodność z krajowymi przepisami i regulacjami. (Patrz także «2.0 Dane techniczne»). Upewnij się, że minimalny przekrój przewodu dymowego jest zgodny z «2.0 Dane techniczne» w instrukcji montażu. Sprawdź czy przewód dymowy nie jest zablokowany np. przez gałęzie, drzewa itp. Przy podejrzeniu nadmiernego / słabego ciągu kominowego, szukaj pomocy w zakresie u lokalnego przedstawiciela Jøtul.

Ogień gaśnie po chwili

- Upewnij się, że drewno jest wystarczająco suche.
- Sprawdź czy w domu nie ma podciśnienia. Wyłącz wentylatory mechaniczne, okapy nadkuchenne i otwórz okno blisko pieca.
- Sprawdź, czy otwory wentylacyjne są otwarte.
- Sprawdź, czy podłączenie pieca do przewodu dymowego nie jest zatkane sadzą.

Nadmierna ilość sadzy na szybie

Niewielka ilość sadzy zawsze będzie osadzała się na szybie, a jej ilość zależy od:

- Wilgotności używanego do palenia drewna.
- Wielkości ciągu kominowego.
- Ilości powietrza dopływającego do pieca.

Większość sadzy zwykle wypali się, gdy jest zwiększonym dopływ powietrza do pieca i ogień w komorze spalania będzie intensywniejszy. (Patrz «6.1 Czyszczenie szkła».)

9.0 Wyposażenie opcjonalne

9.1 Osłona nogi – maskownica dopływu powietrza zewnętrznego

51012329 - Maskownica dopływu powietrza zewnętrznego do Jøtul F 162 / F 163

9.2 Płyta steatytowa, górna

51012327 - Płyta steatytowa górna do Jøtul F 160 z zaślepką

10.0 Recykling

10.1 Recykling opakowania

Państwa piec dostarczany jest w następujących rodzajach opakowań:

- • drewniana paleta, którą można pociąć na kawałki i spalić w piecu;
- • kartonowe opakowanie, które należy oddać do recyklingu w lokalnym punkcie recyklingowym;
- • plastikowe torby, które należy oddać do recyklingu w lokalnym punkcie recyklingowym.

10.2 Recykling pieca

Państwa piec został wyprodukowany z następujących materiałów:

- • żeliwa, które należy oddać do recyklingu w lokalnym punkcie recyklingowym;
- • szkła, które należy usunąć, jako niebezpieczny odpad (szkło z pieca nie powinno być umieszczane w normalnym pojemniku do segregacji odpadów);
- • wermikulitu (płyty wewnętrzne i dopalające), który może być usunięty i umieszczony w normalnych pojemnikach na odpady.

11.0 Gwarancja

1. Gwarancja Jøtul obejmuje

Jøtul gwarantuje, że wszystkie żeliwne części zewnętrzne w momencie zakupu nie posiadają wad materiałowych ani produkcyjnych. Istnieje możliwość wydłużenia gwarancji na zewnętrzne części z żeliwa do 25 lat od daty sprzedaży. Aby przedłużyć gwarancję, należy zarejestrować zakupione urządzenie na stronie internetowej Jøtul.com i wydrukować kartę przedłużonej gwarancji w przeciągu trzech miesięcy od dokonania zakupu. Zalecamy przechowywanie Karty Gwarancyjnej razem z dowodem zakupu. Jøtul udziela gwarancji, że wszystkie stalowe części w momencie zakupu nie posiadają wad materiałowych, ani produkcyjnych i podlegają one 5-letniej gwarancji z prawem do ich zwrotu. Niniejsza gwarancja ma zastosowanie jedynie, gdy proces montażowy został przeprowadzony przez wykwalifikowanego instalatora zgodnie z obowiązującymi normami i przepisami krajowymi, stosując się do zaleceń instrukcji montażowej i eksploatacyjnej Jøtul. Urządzenia naprawione jak i produkty wymienione podlegają pierwotnemu okresowi gwarancji producenta.

2. Gwarancja nie obejmuje:

- 2.1 Uszkodzenia materiałów zużywających się, takich jak płyty wewnętrzne, ruszty, płyty dopalające, deflektory, szyby, uszczelki i wszelkie inne materiały, które ulegają zużyciu w wyniku standardowej eksploatacji.
- 2.2 Uszkodzenia spowodowanego nieprawidłową eksploatacją, przegrzaniem, użyciem nieodpowiedniego opału (tj. drewna dryfującego, impregnowanego, ścinek z desek drewnianych, płyty wiórowej itp.) lub zbyt wilgotnego / mokrego opału.
- 2.3 Instalacji wyposażenia dodatkowego, np. mającego na celu poprawianie właściwości ciągu, ujęcia powietrza lub innych czynników będących poza kontrolą firmy Jøtul.
- 2.4 Uszkodzeń wywołanych nieautoryzowanymi zmianami / modyfikacjami konstrukcyjnymi wprowadzanymi w urządzeniu, bądź uszkodzeń wywołanych zastosowaniem nieoryginalnych zamienników części.
- 2.5 Uszkodzeń spowodowanych składowaniem u dystrybutora, transportem na adres dostawy lub podczas procesu instalacji urządzenia.
- 2.6 Urządzeń zakupionych u nieautoryzowanych sprzedawców na terenie prowadzonej selektywnej sprzedaży urządzeń Jøtul.
- 2.7 Powiązanymi kosztami (np. lecz nie wyłącznie, dotyczącymi transportu, potencjału ludzkiego, podróży) i wszelkimi innymi szkodami pośrednimi. Dla elementów szklanych, wykonanych z kamienia lub betonu, emalii i powłok malarskich (dot. uszkodzeń takich jak: odpryski, pęknięcia, wybrzuszenia, odbarwienia, pęknięcie) mają zastosowanie przepisy krajowego ustawodawstwa obowiązującego w sprzedaży towarów konsumpcyjnych. Niniejsza gwarancja obowiązuje w przypadku nabytych urządzeń w Europejskiej Strefie Ekonomicznej.

Wszelkie kwestie dotyczące gwarancji i reklamacji należy zgłaszać do lokalnego autoryzowanego sprzedawcy Jøtul w czasie 14 dni od wykrycia wady lub uszkodzenia. Szczegółowy wykaz importerów i autoryzowanych dystrybutorów na stronie internetowej www.Jøtul.com.

POLSKI

W przypadku, gdy Jøtul nie będzie w stanie wypełnić swoich zobowiązań określonych w warunkach niniejszej gwarancji, wówczas Jøtul dokona nieodpłatnej wymiany urządzenia z identycznymi właściwościami i parametrami grzewczymi, które zostało pierwotnie zakupione.

Jøtul zastrzega sobie prawo do odmowy wymiany części lub zapewnienia konkretnej usługi w przypadku, gdy nie dokonano rejestracji internetowej gwarancji na zakupione urządzenie. Niniejsza gwarancja nie narusza żadnych praw, które mogą mieć zastosowanie na mocy przepisów krajowych, regulujących sprzedaż towarów konsumpcyjnych. Prawo do złożenia reklamacji ma zastosowanie od momentu zakupu, a zgłoszenie gwarancyjne honorowane jest jedynie po okazaniu dowodu zakupu / nr seryjnego zakupionego urządzenia.

Sluttkontroll av ildsteder

Quality control of stoves and fireplaces

Checked

Utført	Kontrollpunkt	Controlled item
✓	Alle deler er med i produktet (ifølge struktur).	All parts are included.
✓	Alle festemidler er av korrekt type, og er korrekt anvendt.	Correct fastener items have been used and correctly applied.
✓	Overflater er i samsvar med Jøtuls kvalitetsstandarder.	Surfaces comply with Jøtul workmanship standards.
✓	Lukkemekanismer fungerer som de skal, og uten behov for unødig stor kraft.	Door locking mechanisms function correctly; excessive force is not needed.
✓	Produktet/serien møter kravet for lekkasjetest.	The product/lot complies with the leakage test requirement.
✓	Lakkerte/emaljerte overflater møter kravene i Jøtuls kvalitetsstandarder.	Paint/enamel surface finish complies with Jøtul workmanship standards.
✓	Produktet er fritt for utvendig kitt- eller limklin.	Surfaces are not contaminated by external stove cement or glue.
✓	Produktet har ingen sprekker i glass, støpejern eller andre deler.	There are no cracks in glass, cast iron or other parts.
✓	Pakninger er riktig lagt, og skjemmer ikke produktet ved stygge ender eller ved at pakningen er unødig synlig.	Gaskets are correctly applied and do not degrade product appearance (i.e. loose ends or excessive visible exposure).
✓	Dørpakninger er godt limt.	Door gaskets are firmly glued/fixed to the door.
✓	Dørpakninger har tilfredsstillende pakningstrykk.	Door gaskets provide satisfactory sealing.
✓	Sjekk at det ikke "lyser gjennom" i dørpakning eller andre sammenføyninger.	Check for "light through" at door seals and other relevant locations.
✓	Trekkehendler osv fungerer normalt.	The function of air valve handle etc is normal.

Jøtul bekrefter herved at dette produktet er kontrollert og funnet å være i samsvar med våre kvalitetsnormer.	Jøtul hereby confirm that this product has been QC inspected and found to comply with our quality standards.
Lot. No. / Serie nr. - Checked by / kontrollert av	

Art.no. 10050789-P03
Jøtul AS, Oct. 2018

Jøtul pursue a policy of constant product development. Products supplied may therefore differ in specification, colour and type of accessories from those illustrated and described in the brochure.

Jøtul vise sans cesse à améliorer ses produits. C'est pourquoi, il se réserve le droit de modifier les spécifications, couleurs et équipements sans avis préalable.

Quality

Our policy gives our customers quality and safety piece of mind as a result of Jøtul's vast experience dating back to when the company first started in 1853.

Qualité

Cette politique nous permet d'offrir à nos clients une qualité et une sécurité reposant sur la vaste expérience accumulée par Jøtul depuis sa création en 1853.



Jøtul AS,
P.o. box 1411
N-1602 Fredrikstad,
Norway
www.jotul.com